

# UNO Support System

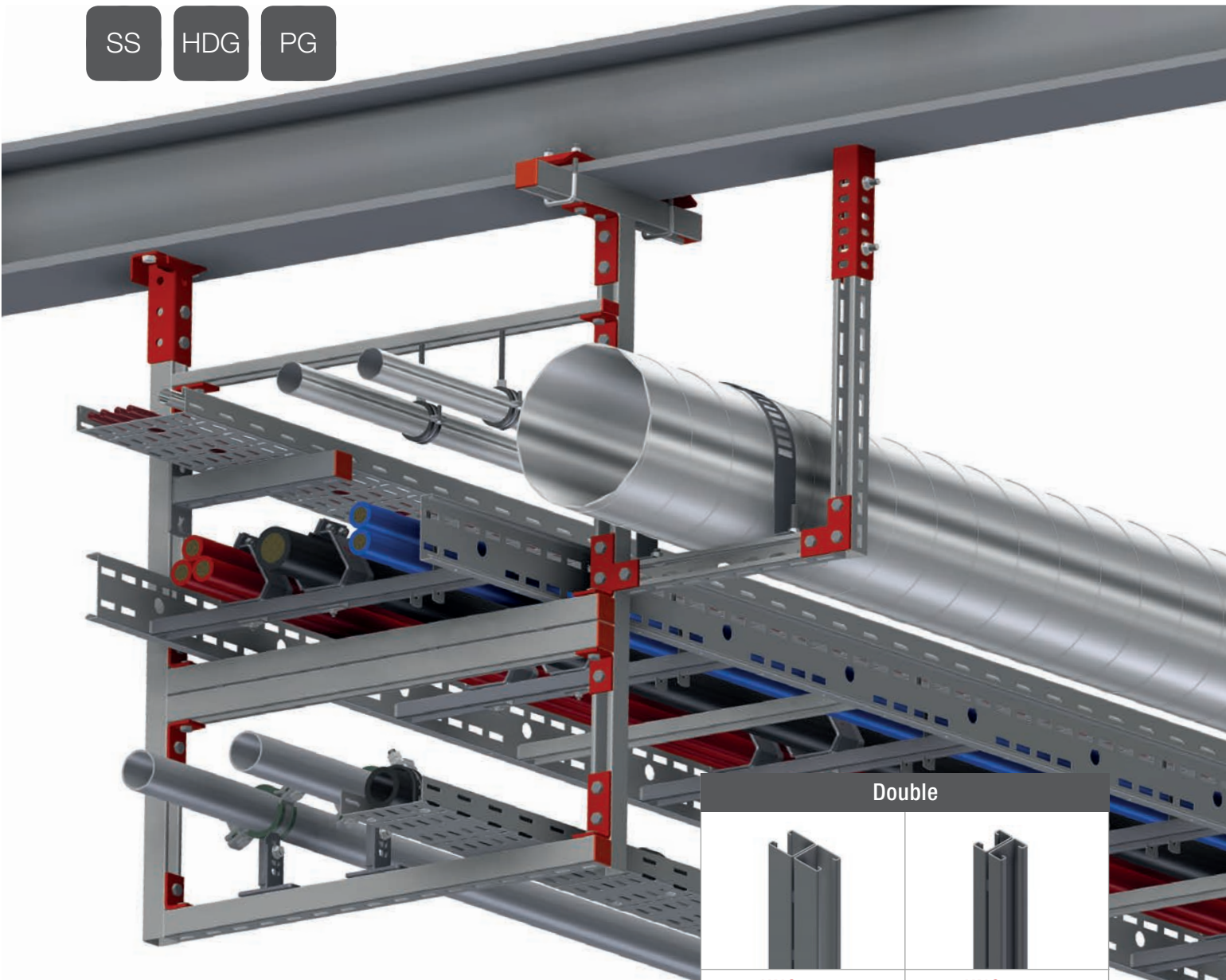
UNO is a traditional, tried and tested support system comprising simple U-shaped profiles. The channels are bolted together to form support configurations using a wide range of brackets and accessories. Unlike our Mekano® System, UNO cannot be fitted back-to-back without the use of additional brackets. UNO is available in single and double U-configurations, in perforated and non-perforated types. Whilst compact in profile, they offer good strength.

## AVAILABLE MATERIALS

SS

HDG

PG



### Double



**UNO-41-2**  
Material thickness:  
HDG = 2.5 mm  
SS = 2 mm



**UNO-21-2**  
Material thickness:  
HDG = 2.5 mm  
SS = 2 mm

### Single



**UNO-41-1**  
Material thickness:  
HDG & PG = 2.5 mm  
SS = 2 mm



**UNO-41-1-P**  
Material thickness:  
HDG & PG = 2.5 mm  
SS = 2 mm



**UNO-41-1-P3**  
Material thickness:  
SS = 2 mm



**UNO-21-1**  
Material thickness:  
HDG & PG = 2.5 mm  
SS = 2 mm



**UNO-21-1-P**  
Material thickness:  
HDG & PG = 2.5 mm  
SS = 2 mm

## SUPPORT DESIGN

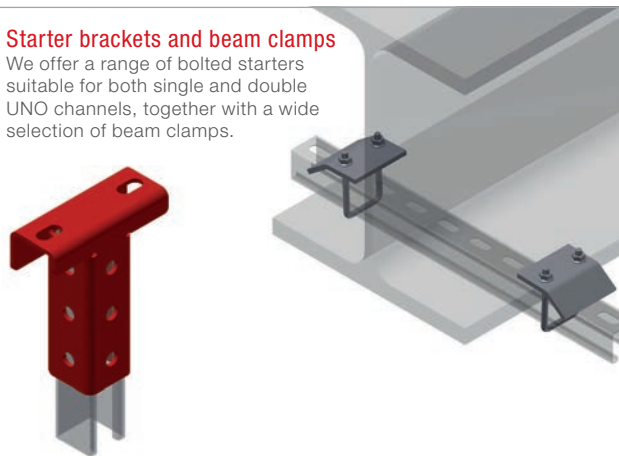
### UNO Brackets

Bracketry is generally in 5 mm 316L SS or 6 mm HDG steel with 13 mm holes suitable for M12 bolts. (some exceptions apply)



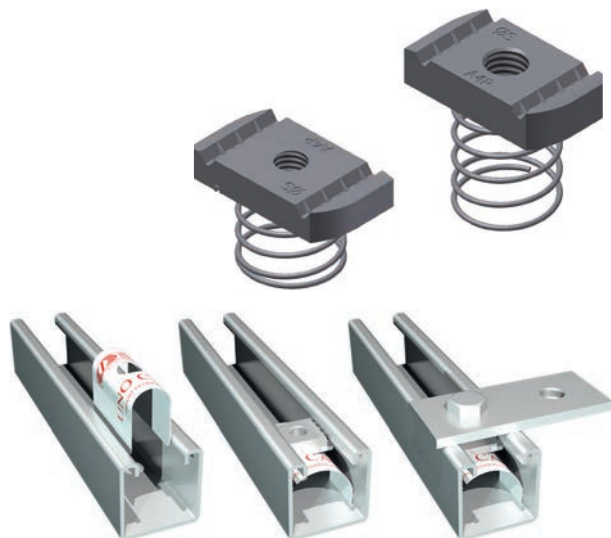
### Starter brackets and beam clamps

We offer a range of bolted starters suitable for both single and double UNO channels, together with a wide selection of beam clamps.



### UNO nuts

UNO nuts are traditionally supplied as spring nuts with different lengths of spring required depending on the profile depth. The springs can become tangled and must be loosened before use, increasing fitting time. As a solution to this, we offer UNO cards which are reusable, flexible, one size-fits-all plastic cards, to hold the nut securely during fitting.



# Contents

## UNO Support System

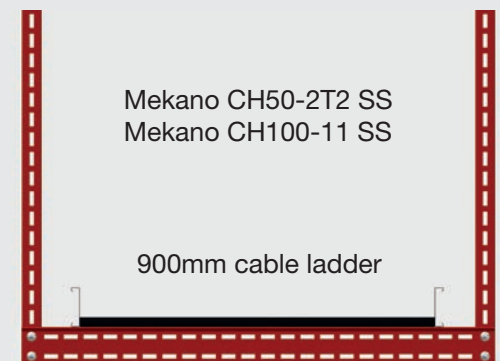
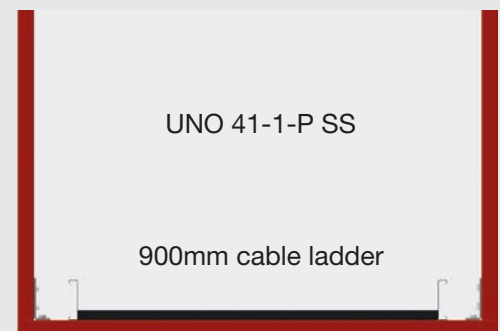
### UNO Channels, Fasteners and Fixings

- 44 UNO Channels
- 45 UNO Fasteners
- 46 UNO Fixings

### UNO Starter Brackets

- 51 UNO Bolted Starter Brackets
- 52 UNO Beam Clamps

## Comparing Mekano® and UNO Support Systems



The comparison shows the Mekano® system is:

- 30% Lighter**
- 22% Stronger**
- 43% More cost efficient**
- 22% Quicker to install**

### Intellectual Property Rights

Please note that several of the products presented in this catalogue are protected by our intellectual property rights in the form of patents, registered designs and trademarks, and that we have made the strategic decision to police and enforce these rights in all relevant jurisdictions.

# UNO Channels

## U-41 Single

U-shaped UNO Channel.

Type Description	SS	SS (kg)	HDG	PG
S-UNO-41-1 (3 m)	1371859	6.7	1302227	
S-UNO-41-1 (6 m)	1371865	13.3	1302233	70702



## U-41 Double

Double U-shaped UNO Channel.

Type Description	SS	SS (kg)	HDG
S-UNO-41-2 (3 m)	1371864	13.4	1302229
S-UNO-41-2 (6 m)	1371867	26.8	1302235



## U-41 Perforated

U-shaped UNO Channel. Perforated base.

Type Description	SS	SS (kg)	HDG	PG
S-UNO-41-1-P (3 m)	1371863	6.4	1302228	
S-UNO-41-1-P (6 m)	1371866	12.8	1302234	1302197



## U-41 Triple Perforated

U-shaped UNO Channel. Base and both sides perforated.

Type Description	SS	SS (kg)
S-UNO-41-1-P3 (3 m)	1306884	5.7



## U-21 Single

U-shaped UNO Channel.

Type Description	SS	SS (kg)	HDG	PG
S-UNO-21-1 (6 m)	1371860	9.5	1302230	1372860



## U-21 Double

Double U-shaped UNO Channel.

Type Description	SS	SS (kg)	HDG
S-UNO-21-2 (6 m)	1371862	19.0	1302232



## U-21 Perforated

U-shaped UNO Channel. Perforated base.

Type Description	SS	SS (kg)	HDG	PG
S-UNO-21-1-P (3 m)	83977	4.5		
S-UNO-21-1-P (6 m)	1371861	8.9	1302231	1302199



# UNO Fasteners

## Spring Nuts for U-41 Channel

Available as M6, M8, M10 & M12.

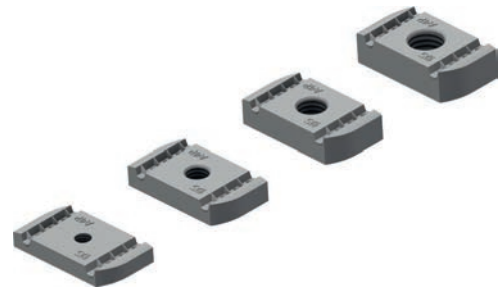
Type Description	SS	SS (kg)	HDG	HDG (kg)
S-UNO NU-M-4106	1371876	0.03	1302254	0.03
S-UNO NU-M-4108	1371877	0.04	1302255	0.03
S-UNO NU-M-4110	1371878	0.04	1302256	0.04
S-UNO NU-M-4112	1371879	0.04	1302257	0.05



## Nuts for U-21 and U-41 Channel

Without spring for both U-21, U-41 Channels, and OE rungs. Available as M6, M8, M10 & M12.

Type Description	SS	SS (kg)	HDG	HDG (kg)
S-UNO NU-M-3106	1371872	0.02	1302250	0.03
S-UNO NU-M-3108	1371873	0.02	1302251	0.04
S-UNO NU-M-3110	1371874	0.03	1302252	0.04
S-UNO NU-M-3112	1371875	0.03	1302253	0.04



## Spring Nuts for U-21 Channel

Available as M6, M8, M10 & M12.

Type Description	SS	SS (kg)	HDG	HDG (kg)
S-UNO NU-M-2106	1371868	0.02	1302246	0.03
S-UNO NU-M-2108	1371869	0.02	1302247	0.03
S-UNO NU-M-2110	1371870	0.03	1302248	0.04
S-UNO NU-M-2112	1371871	0.04	1302249	0.05



## Complete UNO Card and Nut set

UNO Card and Nut set for both U-21 and U-41. Comprises 100 UNO nuts, 50 reusable UNO cards and 1 applicator tool.

Type Description	SS	SS (kg)	HDG	HDG (kg)
S-UNO Nu-Card M6	1302240	2.0	1302236	2.8
S-UNO Nu-Card M8	1302241	2.2	1302237	3.5
S-UNO Nu-Card M10	1302242	2.5	1302238	3.1
S-UNO Nu-Card M12	1302243	2.7	1302239	3.8

Box consist of =



# UNO Fixings

## Lipped Square Washer

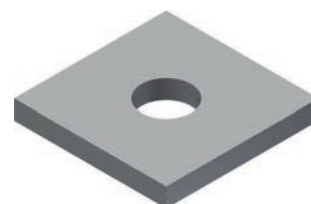
Washer for fitting over UNO Channels. Available with 7,9,11 & 13 mm holes.

Type Description	SS	SS (kg)	HDG	HDG (kg)
S-UNO D 131-7	1371887	0.04	1302258	0.05
S-UNO D 132-9	1371888	0.04	1302259	0.05
S-UNO D 133-11	1371889	0.04	1302260	0.05
S-UNO D 134-13	1371890	0.04	1302261	0.05



## Square Plate Washer

Type Description	SS	SS (kg)	HDG
S-UNO D-21-12	88046	0.06	88047



## Two Hole Flat Bracket

Type Description	SS	SS (kg)	HDG
S-UNO D-22	1371891	0.1	1302262



## Three Hole Flat Bracket

Type Description	SS	SS (kg)	HDG
S-UNO D-23	1371892	0.2	1302263



## Four Hole Flat Bracket

Type Description	SS	SS (kg)	HDG
S-UNO D-24	1371893	0.3	1302264



## Five Hole Flat Bracket

Type Description	SS	SS (kg)	HDG
S-UNO D-25	1371894	0.3	1302265



## UNO Channel Splice Connector

Type Description	SS	SS (kg)	HDG
S-UNO D-24B	89324	0.7	84759



## Flat L-Bracket

Type Description	SS	SS (kg)	HDG
S-UNO D-31	1371895	0.2	1302266



## Flat T-Bracket

Type Description	SS	SS (kg)	HDG
S-UNO D-32	1371896	0.3	1302267



## Flat T-Bracket D-33

Type Description	SS	SS (kg)	HDG
S-UNO D-33	1371897	0.3	1302268



## Flat T-Bracket D-111

Type Description	SS	SS (kg)	HDG
S-UNO D-111	89611	0.4	89711



## Flat Cross-Bracket

Type Description	SS	SS (kg)
S-UNO D-110	89610	0.4



## Heavy Duty Cross-Bracket

Type Description	SS	SS (kg)
S-UNO D-107	89536	1.5



## 1+1 Hole Angle Bracket

Type Description	SS	SS (kg)	HDG
S-UNO D 41 - 42	1371898	0.1	1302269



## 1+2 Hole Angle Bracket

Type Description	SS	SS (kg)	HDG
S-UNO D 43 - 44	1371899	0.2	1302270



## 2+1 Hole Angle Bracket

Type Description	SS	SS (kg)	HDG
S-UNO D-49	1371902	0.2	1302273



## 2+2 Hole Angle Bracket

Type Description	SS	SS (kg)	HDG
S-UNO D-47-48	1371901	0.3	1302272



## 1+3 Hole Angle Bracket

Type Description	SS	SS (kg)	HDG
S-UNO D-45-46	1371900	0.3	1302271



## Channel Support Bracket D-51

Type Description	SS	SS (kg)	HDG
S-UNO D-51	1371903	0.3	1302274



## Channel Support Bracket D-52

Type Description	SS	SS (kg)	HDG
S-UNO D-52	1371904	0.3	1302275



## Channel Support Bracket D-53

Type Description	SS	SS (kg)	HDG
S-UNO D-53	1371905	0.3	1302276



## U-Bracket for U-21-1

U-Bracket for U-21-1.

Type Description	SS	SS (kg)	HDG
S-UNO D-64	82236	0.3	82235



## U-Bracket for U-41-1 and U-21-2

U-Bracket for U-41-1 and U-21-2.

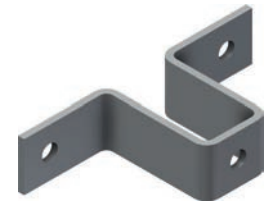
Type Description	SS	SS (kg)	HDG
S-UNO D-61	1371906	0.4	1302277



## U-Bracket for U-41-2

U-Bracket for U-41-2.

Type Description	SS	SS (kg)	HDG
S-UNO D-62	1371907	0.5	1302278



## Z-Bracket

Type Description	SS	SS (kg)	HDG
S-UNO D-71	1371908	0.2	1302279



## Wing Bracket

Type Description	SS	SS (kg)	HDG
S-UNO D-96	1371929	0.7	1302298



## Wing Bracket D-78

Type Description	SS	SS (kg)	HDG
S-UNO D-78	1302318	0.3	1302316



## Wing Bracket D-76

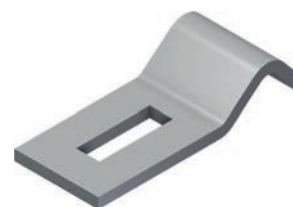
Type Description	SS	SS (kg)	HDG
S-UNO D-76	1302317	0.3	1302315





## Tubing Bracket

Type Description	SS	SS (kg)	HDG
S-UNO D-105	1302593	0.2	1302299



## Acute Angle Bracket 45°

Type Description	SS	SS (kg)	HDG
S-UNO D-91-05	1371917	0.2	1302288



## Acute Angle Bracket 60°

Type Description	SS	SS (kg)	HDG
S-UNO D-91-07	1371918	0.2	1302289



## Acute Angle Bracket 75°

Type Description	SS	SS (kg)	HDG
S-UNO D-91-09	1371919	0.2	1302290



## Obtuse Angle Bracket 15°

Type Description	SS	SS (kg)	HDG
S-UNO D-92-01	1371920	0.2	1302291



## Obtuse Angle Bracket 30°

Type Description	SS	SS (kg)	HDG
S-UNO D-92-03	1371921	0.2	1302292



## Obtuse Angle Bracket 45°

Type Description	SS	SS (kg)	HDG
S-UNO D-92-05	1371922	0.2	1302293



## Obtuse Angle Bracket 60°

Type Description	SS	SS (kg)	HDG	
S-UNO D-92-07	1371923	0.2	1302294	



## Obtuse Angle Bracket 75°

Type Description	SS	SS (kg)	HDG	
S-UNO D-92-09	1371924	0.2	1302295	



## Closure Strip

Cover to close the UNO Channel.

Type Description	SS	SS (kg)	PVC	PG
S-UNO D-93	1371916	0.9	85966	1302287



## End Cap

High visibility End Cap for UNO Channel.

Type Description	Plastic	Plastic (kg)		
S-UNO D-97-41	1371927	0.008		
S-UNO D-97-21	1371947	0.004		



# UNO Bolted Starter Brackets

## Bolted Starter for U-41-1

Type Description	SS	SS (kg)	HDG	
S-UNO E-1	1371925	1.1	1302296	



## Bolted Starter for U-41-2

Type Description	SS	SS (kg)	HDG	
S-UNO E-2	1371926	1.3	1302297	



## Bolted Starter E-3 for U-41-1

Type Description	SS	SS (kg)	HDG	PG
S-UNO E-3	1304475	0.8	1304474	1304473



# UNO Beam Clamps

## Window Beam Clamp

Window Clamp for attaching single U-41 Channel below H beam sections. Includes tapered bolt. Must be fitted in pairs.



Type Description	Fasteners included	SS	SS (kg)	HDG
S-UNO D-81	1×M10	1371909	0.4	1302280

## Beam Clamp D-82

Clamp for attaching UNO Channel with UNO nuts to H beam flange sections. Includes tapered bolt. Must be fitted in pairs.



Type Description	Fasteners included	SS	SS (kg)	HDG
S-UNO D-82	1×M10	1371910	0.2	1302281

## Beam Clamp D-85

Clamp for attaching UNO Channel from the end profile to H beam flange sections. Includes tapered bolt. Must be fitted in pairs or together with other beam clamps.



Type Description	Fasteners included	SS	SS (kg)	HDG
S-UNO D-85	1×M10	1371912	0.1	1302283

## Beam Clamp D-86

Clamp for attaching UNO Channel to H beam flange sections. Includes tapered bolt.



Type Description	Fasteners included	SS	SS (kg)	HDG
S-UNO D-86	1×M10	1371913	0.5	1302284

## Beam Clamp D-87-A

Clamp for attaching U-41 Channel to H beam flange sections. Square U-Bolt included. Must be fitted in pairs.



Type Description	SS	SS (kg)	HDG
S-UNO D-87-A	1371914	0.4	1302285

## Beam Clamp D-87-B

Clamp for attaching U-41-2 Channel to H beam flange sections. Square U-Bolt included. Must be fitted in pairs.



Type Description	SS	SS (kg)	HDG
S-UNO D-87-B	1371915	0.4	1302286

## Beam Clamp 30-1 for U-41-1

Clamp for attaching U-41-1 Channel to H beam flange sections. Square U-Bolt included. For flange thickness up to 30 mm. Must be fitted in pairs.



Type Description	SS	SS (kg)
S-UNO BC-30-1	1304498	0.7

## Beam Clamp 30-2 for U-41-2

Clamp for attaching U-41-2 Channel to H beam flange sections. Square U-Bolt included. For flange thickness up to 30 mm. Must be fitted in pairs.



Type Description	SS	SS (kg)
S-UNO BC-30-2	1304499	0.7

