

# Recessed Luminaire

HDL 102

Zone 1 Ex em Recessed Luminaire



## Specification:

### Enclosure:

Steel Powder Coated  
or Stainless Steel

### Diffuser Frame:

As above

### Diffuser:

Toughened Prismatic Glass

### Gasket:

Silicone

### External Fasteners:

A4 Stainless Steel

### T Rating:

T4/T5 Gas and Dust

### Surface Temp:

75° C

## Key Features:

- Exposed 'T' / Concealed 'T' Modular ceiling type.
- Plasterboard Non-modular ceiling type.
- Plank ceiling type 300mm wide.
- Mild steel painted as standard (stainless steel also available).
- 2 x 18 W, 4 x 18W, 2 x 36W, 4 x 36W, 2 x 58W.
- Emergency version available.
- For 2 x 18W Compact Fluorescent Luminaire see – HDL 108.
- Ease of maintenance and installation.
- Wide range of lamp options.
- High frequency electronic control gear.
- Quick lamp start and flicker free operation control gear.
- High ambient areas.
- Can be installed in new or existing ceilings.
- Lightweight and robust construction.
- Cable entries can be positioned to suit customer requirements.
- Overvoltage protection 320V for 1 minute.

- Standard/Emergency gear trays interchangeable between luminaires.
- Continuous monitoring of fluorescent lamps ensures safe end of life shutdown by electronic ballast in accordance with HSE safety notice 8/05.
- Optional mains isolation/battery isolation microswitch available.

Incorporates the new 'End of Life' (EoL) protection circuit ballast  
– according to DIN EN 61347-2-3 AND IEC 60079-7 Ed 4 Annex H

Engineering Solutions  
Design to Manufacture

**HADAR**  
LIGHTING 

Hadar Lighting, Jubilee Industrial Estate, Ashington  
Northumberland, NE63 8UG United Kingdom

T: +44 (0) 1670 814 877  
F: +44 (0) 1670 858 638

enquiries@hadar-lighting.co.uk

www.hadar-lighting.co.uk

**Protection:**

II 2GD Ex emb II T4/T5 IP64, Ex tD A21 T75°C

**Certification:** ATEX & IEC Ex certified by SIRA

	Certification	Ambient	Voltage Range	Certificate
HDL 102	II2GD EX emb II T4/T5 IP66/67II 2GD Ex emb II T4/T5 IP64	All ranges T4 - 40°C to + 55°C All ranges T5 - 40°C to + 40°C Emergency -15°C	110V – 254V	IEX Ex SIR 0.60027 SIRA 06 ATEX 3080

**Electrical Specifications:**

Electrical Specification			
Lamp Options	Power consumption	Power factor	Power supply
2 x 18W T8	32W Circuit Watts at 240V – 0.14A (120V – 0.28A)	Better than 0.95	220V – 254V, 47/63 Hz AC/DC 110V – 130V, 47/63 Hz AC/DC (18W/36W only) Emergency version as above – AC only
2 x 36W T8	62W Circuit Watts at 240V – 0.27A (120V – 0.28A)		
2 x 58W T8	92W Circuit Watts at 240V – 0.40A (120V – 0.80A)		
4 x 18W T8	64W Circuit Watts at 240V – 0.28A (120V – 0.56A)		
4 x 36W T8	124W Circuit Watts at 240V – 0.54A (120V – 1.08A)		

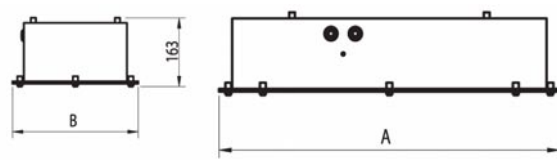
**Installation:**

**Terminals:** Up to 6mm<sup>2</sup> clamp terminals for live, live switched, neutral, earth and looping are provided. Internal and external earth as standard. Screw terminals upon request.  
**Cable Entries:** To suit individual customer requirements.  
**Suspension:** To suit individual customer requirements.  
**Installation:** Installation document AL10089 supplied.

**Ordering Matrix:**

Field	Options
Product	HDL102
Version	S – Non Emergency E - Emergency
Fittings	A – Exposed 'T' B – Concealed 'T' C – Non Modular D – Plank
Voltage	H – High Voltage (220V – 254V) M – Medium Voltage (110V – 130V)
Cable Entries	0 – M20 Entries 5 – M25 Entries
Lamp Options	218 – 2 x 18W 236 – 2 x 36W 258 – 2 x 58W 418 – 4 x 18W 436 – 4 x 36W

**Dimensions:**



Dimensions for non modular range of recessibles for modular range dimensions contact the sales dept.

	A	B	Weight
2 x 18W	700mm	299mm	10kg
2 x 36W	1310mm	299mm	16kg
2 x 58W	1610mm	299mm	18kg
4 x 18W	700mm	599mm	15kg
4 x 36W	1310mm	599mm	18kg

**Notes:**

- 1) Final Product Code should be in the format: HDL102SCH0218.
- 2) Bi-Pin as standard. Contact sales office for Single Pin.
- 3) Mild Steel as standard, contact sales office for stainless steel.
- 4) For Photometric data contact the new sales office.

