



Explosion Protected IP Fixed Camera Station

Description

XF40

The Oxalis XF40 platform is an explosion protected fixed camera station for use in hazardous areas in onshore, offshore, marine and heavy industrial environments. The camera stations are designed for longevity in harsh environments with minimal maintenance. This datasheet covers the IP configuration options.

Certification Part Number	1410-0, 1410-1, 1410-15-0, 1410-15-1 or 2410-03
Features	
Sun Shield	Standard stainless steel 316L mirror finish
Integral Wiper	Optional
Integral Demister	Standard
Integral Washer Pump	Not applicable
Washer Systems	Compatible with Oxalis XWP Pressurised Washer System (See Separate Datasheets)
Pan Speed (Maximum)	Not applicable
Tilt Speed (Maximum)	Not applicable
Pre-set Positional Accuracy	Not applicable
Telemetry Receiver	Integral - Pelco D, P Standard Protocols (Others to Specification)
Rotation	Not applicable
Analogue Direct Fibre Out Options	Not applicable
Integral IP Encoder Options	Not applicable
IP Direct Fibre Out Options	Media Converter, Singlemode 9/125µm / Multimode 50/125µm, 10/100Mb Ethernet, IEEE 802.3, Mounted inside camera. Specification for 3rd party equipment at Rx end of the fiber link should be 100BaseFx.
Electrical	
Supply Voltage Options	24 VAC
Power Consumption	37W Maximum, 65W with low temperature kit (-40 / -60°C)
Electrical Connections	Terminal block for power, data and video specific to camera configuration, plus switching for washer tank (where applicable)
Mechanical	
Body Material	Electro-polished 316L stainless steel on all welded assemblies for maximum corrosion protection
Fixings Material	A4 Stainless Steel
Camera Station Window	Toughened glass, precision polished
Mounting Options	Pole or Wall (See Separate Datasheets)
Impact Resistance	IK Code Rating (EN 62262) - IK10 body, IK8 glass
Vibration Resistance	To EIC 6800-2-6
Operating Temperature	-20°C to +60°C (-40°C / -60°C Optional)
Weight (Kg)	14 Approx
Ingress Protection Rating	IP66/67

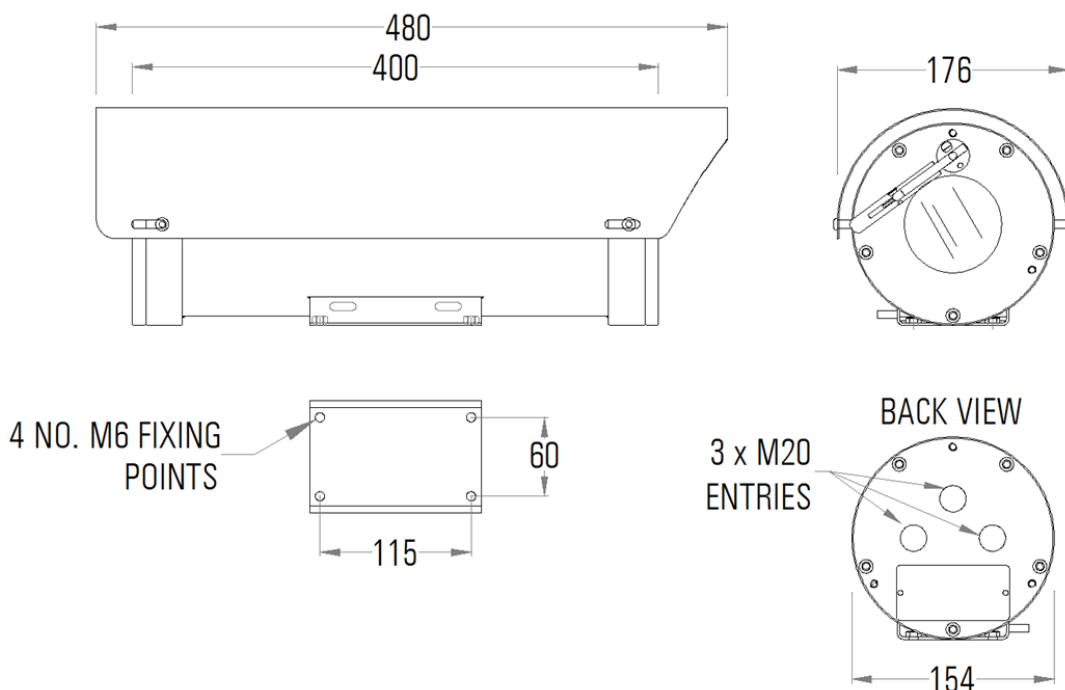
Camera Options

10x Optical Zoom 1080p Network Camera	IP network 1/2" progressive scan HDTV 1080i camera, 10X optical zoom block module. Minimum illumination 2 lux colour, 0.2 lux B/W.
18x Optical Zoom 1080p Network Camera	IP network progressive scan CMOS 2MP WDR camera, 1080p: 1920 x 1080 pixels, 720p: 1280 x 720, D1: 720 x 480. 18X zoom (4.7 - 84.6mm). Full frame, full colour compression H.264/MJPEG up to 30fps. RS485 data in/out.
Fixed 1080p Network Camera	IP fixed network camera: progressive scan CMOS 2MP WDR, 1080p: 1920 x 1080 pixels with varifocal 2.8-8mm lens. Full frame, full colour compression H.264/MJPEG up to 30fps. RS485 data in/out for operation of wash and wipe facilities. Minimum illumination 0.2lux colour, 0.04 lux B/W.
30x Zoom 1080p Network Block Module	IP network zoom module: 1/2.8" 1080p - 30X optical zoom (12X digital) f = 4.6 - 129mm, low light sensitivity 0.5 lux colour, 0.1 lux B/W (ICR) - 50IRE. Maximum frame rate 60fps @ 1920 x 1080 resolution. H.264, MJPEG.
Custom	Fitting of customer specific camera, subject to acceptance, conformity to regulation and testing.

Certification Options

Area Classification	Zones 1, 2, 21 and 22 (ATEX / IECEx / INMETRO) / Class 1, Zone 1 (North America and Canada cLCus) / Class 1 Division 1
Equipment Coding (ATEX)	II 2 G Ex d op pr IIC T4 (T5 & T6 Available on Request) II 2 D Ex tb IIIC T135°C Db IP6x
Equipment Coding (IECEX)	Ex d IIC T4/5* -60°C ≤ Ta ≤ +60°C Gb Ex tb IIIC T130°C Db IP6x
Equipment Coding (INMETRO)	Ex d IIC T4/5* -60°C ≤ Ta ≤ +60°C Gb Ex tb IIIC T130°C Db IP66/67
Equipment Coding (US - LCUs)	Class 1 Zone 1 AEx d IIC T4/5* LC13A11396 Gb -60°C ≤ Ta ≤ +60°C
Equipment Coding (Canada - cLC)	Ex d IIC T4/5* LC1311396 -60°C ≤ Ta ≤ +60°C
Equipment Coding (China - CNEX)	Ex d IIC T4/T5/T6 GB / Ex d IIIC 135°C Db IP6X
Equipment Coding (Class - DIV)	Class I, Division 1, Groups B, C, D, -60°C ≤ Ta ≤ 60°C / Class II, Division 1, Groups E, F, G
Certificate Number (ATEX)	ITS08ATEX15950X / ITS08ATEX15927X
Certificate Number (IECEX)	IECEX ITS 10.0053X / IECEX ITS 10.0063X
Certificate Number (INMETRO)	TUV 12.1080 / TUV 12.1081
Certificate Number (US - LCUs)	11396 - 1S - UL
Certificate Number (Canada - cLC)	11396 - 1S - CSA
Certificate Number (Russia - GOST-R)	POCC GB.ГБ.В00659
Certificate Number (India - CCE)	P306928/1/2
Certificate Number (China - CNEX)	132.2980X / 13.2981X
Certificate Number (Class - DIV)	11671 - 1S

General Arrangement Drawing



1) Oxalis Base model	
XF40	Basic Oxalis platform for configuration
2) Camera Housing Type	
V	Visual (Day-Night) camera housing with precision polished toughened glass
3) Wiper Options	
W	Heavy duty 316L stainless steel wiper with pressure governing spring, resilient rubber blade
E	Heavy duty 316L stainless steel wiper with pressure governing spring, resilient rubber blade and spray nozzle including wiring for 24VAC switching from telemetry receiver for Oxalis external washer pump
N	No wiper
4) Video Type	
I	Full IP System
5) Day-Night Camera Module Options	
6	IP network 1/3" progressive scan HDTV 1080i camera, 10X optical zoom block module. Minimum illumination 2 lux colour, 0.2 lux B/W.
7	IP network progressive scan CMOS 2MP WDR camera, 1080p: 1920 x 1080 pixels, 720p: 1280 x 720, D1: 720 x 480. 18X zoom (4.7 - 84.6mm). Full frame, full colour compression H.264/MJPEG up to 30fps. RS485 data in/out.
8	IP network fixed network camera: progressive scan CMOS 2MP WDR, 1080p: 1920 x 1080 pixels with varifocal 2.8-8mm lens. Full frame, full colour compression H.264/MJPEG up to 30fps. RS485 data in/out for operation of wash and wipe facilities. Minimum illumination 0.2lux colour, 0.04 lux B/W.
9	IP Network Zoom module: 1/2.8" 1080p - 30X optical zoom (12X digital) f = 4.6 - 129mm, low light sensitivity 0.5 lux colour, 0.1 lux B/W (ICR) - 50IRE. Maximum frame rate 60fps @ 1920 x 1080 resolution. H.264, MJPEG.
A	IP Network Zoom module: 1/3" 720p - 30X optical zoom (12X digital) f = 4.4 - 132mm, low light sensitivity 0.5 lux colour, 0.005 lux B/W (ICR) - 50IRE. Maximum frame rate 60fps @ 1280 x 720 resolution. H.264, MJPEG.
C	Fitting of customer specific camera, subject to acceptance, conformity to regulation and testing. Excludes camera cost
D	Fitting of customer specific transmission equipment, subject to acceptance, conformity to regulation and testing. Excludes camera cost
6) Thermal Core Module Options	
N	No Thermal Core
7) Thermal Core Lens Options	
N	No thermal imaging lens
8) Video System	
I	IP
9) Supply Voltage	
1	24VAC supply
S	Special - price on application
10) Camera Rotation	
N	Not applicable

11) Protocol Requirements	
D	Pelco D protocol, Baud rate 2400bps
P	Pelco P protocol, Baud rate 4800bps
V	Vicon Protocol, Baud rate 4800bps
C	Coe (Digital Barriers) protocol
N	No control protocol required
12) Certification Requirements	
A	ATEX certification: II 2 G Ex d op pr IIC II 2 D Ex tb IIIC T135°C Db IP66/67
I	IECEX certification: Ex d IIC -60°C ≤ Ta ≤ +60°C Gb Ex tb IIIC T130°C Db IP66/67
M	Inmetro certification: Ex d IIC -60°C ≤ Ta ≤ +60°C Gb Ex tb IIIC T130°C Db IP66/67
U	North America certification: Class 1 Zone 1 AEx d IIC Gb -60°C ≤ Ta ≤ +60°C IP66/67
Z	North America certification: Class 1 Division 1 Groups B, C, D. -60°C ≤ Ta ≤ +60°C / Class II Division 1 Groups E, F, G, IP66/67
C	Canadian certification: Ex d IIC -60°C ≤ Ta ≤ +60°C, IP66/67
R	GOST-R certification: Ex d IIC -60°C ≤ Ta ≤ +60°C Gb Ex tb IIIC T130°C Db IP6x - POCC GB.ГБ.В00659, IP66/67
D	CCOE certification: Ex d IIC -60°C ≤ Ta ≤ +60°C Gb Ex tb IIIC T130°C Db IP6x - P306928/1/2, IP66/67
X	CNEX certification (China) Ex d IIC Gb Ex tb IIIC 135C Db, IP66/67
13) Temperature Ranges (T Class)	
1	T4 temperature class at -20°C to +60°C operating temperature
2	T4 temperature class at -40°C to +60°C operating temperature
3	T4 temperature class at -60°C to +40°C operating temperature
4	T5 temperature class at -20°C to +60°C operating temperature (subject to build restrictions)
5	T5 temperature class at -40°C to +60°C operating temperature (subject to build restrictions)
6	T5 temperature class at -60°C to +40°C operating temperature (subject to build restrictions)
7	T6 temperature class at -20°C to +60°C operating temperature (subject to build restrictions)
8	T6 temperature class at -40°C to +40°C operating temperature (subject to build restrictions)
9	T6 temperature class at -60°C to +40°C operating temperature (subject to build restrictions)
14) Transmission	
0	Standard electrical connection compatible with build
3	Direct fibre out: Media Converter, Singlemode 9/125µm, 10/100Mb Ethernet, IEEE 802.3, Mounted inside camera. Specification for 3rd party equipment at Rx end of the fiber link should be 100BaseFx.
4	Direct fibre out: Media Converter, Multimode 50/125µm, 10/100Mb Ethernet, IEEE 802.3, Mounted inside camera. Specification for 3rd party equipment at Rx end of the
C	Fitting of customer specific fibre transmission device, subject to acceptance, conformity to regulation and testing. Excludes the device cost

Example Part Number

