



Explosion Protected Analogue PTZ Camera Station

Description

XC26 The Oxalis XC26 is an explosion protected PTZ analogue camera station for use in hazardous areas in onshore, offshore, marine and heavy industrial environments. The camera stations are designed for longevity in harsh environments with minimal maintenance.

Certification Part Number 2410-04/1420-11 or 2410-05/1420-11

Features

Sun Shield	Standard stainless steel 316L mirror finish
Integral Wiper	Optional
Integral Demister	Standard
Integral Washer Pump	Not applicable
Washer Systems	Compatible with Oxalis XWP Pressurised Washer System (See Separate Datasheets)
Pan Speed (Maximum)	45° Per Second
Tilt Speed (Maximum)	24° Per Second
Pre-set Positional Accuracy	64 Presets: Positional Accuracy ±0.1°
Telemetry Receiver	Integral - Pelco D, P Standard Protocols (Others to Specification)
Rotation	350° Rotation (+/- 175° from straight ahead)
Analogue Direct Fibre Out Options	Not applicable
Integral IP Encoder Options	Not applicable
IP Direct Fibre Out Options	Not applicable

Electrical

Supply Voltage Options	24 VAC, 50/60Hz
Power Consumption	85W Maximum (143W with low temperature operation)
Electrical Connections	Conduit tail for connection to external enclosure

Mechanical

Body Material	Electro-polished 316L stainless steel on all welded assemblies for maximum corrosion protection
Fixings Material	A4 Stainless Steel
Camera Station Window	Toughened glass, precision polished
Mounting Options	Pole or Wall (See Separate Datasheets)
Impact Resistance	IK Code Rating (EN 62262) - IK10 body, IK8 glass
Vibration Resistance	To EIC 6800-2-6
Operating Temperature	-20°C to +60°C (-40°C / -60°C Optional)
Weight (Kg)	38
Ingress Protection Rating	IP66/67

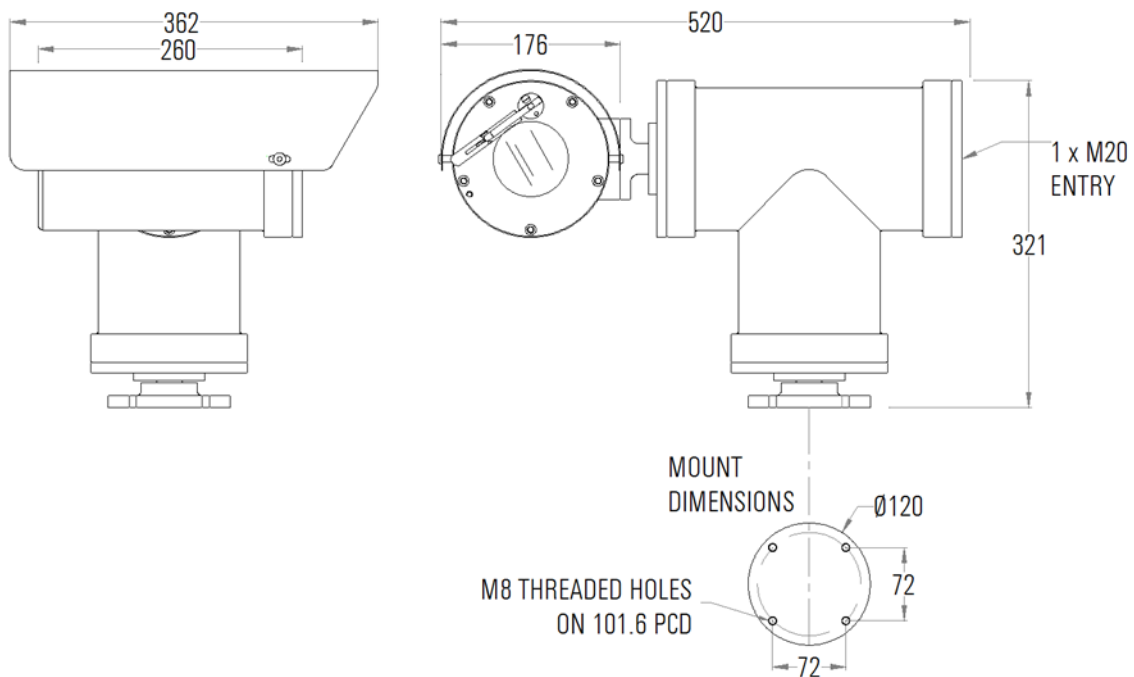
Camera Options

¼" CCD 37x Optical Zoom Block Module	Analogue ¼" double density interline transfer block module, 650TVL (680TVL B/W), 37X optical zoom (3.5-129.5mm F1.6-F3.9), 16X digital zoom, minimum illumination 0.2 lux colour, 0.01 lux B/W, super dynamic range. Includes Oxalis 2450-400 telemetry interface PCB. PAL or NTSC.
⅓" CCD 10x Optical Zoom Block Module	Analogue ⅓" super HAD II CCD 10X optical zoom (12X digital) block module (5.1-51mm F1.8 - 2.1). Includes Oxalis 2450-400 telemetry interface PCB. PAL or NTSC.
¼" CCD 36x Optical Zoom Block Module	Analogue ¼" EXview HAD CCD (progressive scan) block module, 36x optical zoom, , f=3.4 mm (wide) to 122.4 mm (tele), F1.6 to F4.5, 12X digital zoom, 550 TVL, minimum illumination 1.4 lx (F1.6, 50IRE). Includes Oxalis 2450-400 telemetry interface PCB. PAL or NTSC.
⅓" CCD 30x Optical Zoom 700 TVL Block Module	Analogue ⅓" CMOS HD analogue block module, 700TVL, 30x optical zoom, f=4.3 mm (wide) to 129 mm (tele), F1.6 to F4.7, 32X digital zoom, 550 TVL, minimum illumination 0.5 lux colour, 0.1 lux B/W, IR cut filter, wide dynamic range. Includes Oxalis 2450-400 telemetry interface PCB. PAL or NTSC.

Certification Options

Area Classification	Zones 1, 2, 21 and 22 (ATEX / IECEx / INMETRO) / Class 1, Zone 1 (North America and Canada cLCus) / Class 1, Division 1 II 2 G Ex d op pr IIC T4 (T5 & T6 Available on Request) II 2 D Ex tb IIIC T135°C Db IP6x
Equipment Coding (ATEX)	Ex d IIC T4/5* -60°C ≤ Ta ≤ +60°C Gb Ex tb IIIC T130°C Db IP6x
Equipment Coding (IECEX)	Ex d IIC T4/5* -60°C ≤ Ta ≤ +60°C Gb Ex tb IIIC T130°C Db IP66/67
Equipment Coding (INMETRO)	Class 1 Zone 1 AEx d IIC T4/5* LC13A11396 Gb -60°C ≤ Ta ≤ +60°C
Equipment Coding (US - LCus)	Ex d IIC T4/5* LC1311396 -60°C ≤ Ta ≤ +60°C
Equipment Coding (Canada - cLC)	Ex d IIC T4/T5/T6 GB / Ex d IIIC 135°C Db IP6X
Equipment Coding (China - CNEX)	Class I, Division 1, Groups B, C, D, -60°C ≤ Ta ≤ 60°C / Class II, Division 1, Groups E, F, G
Equipment Coding (Class - DIV)	ITS08ATEX15950X / ITS08ATEX15927X
Certificate Number (ATEX)	IECEX ITS 10.0053X / IECEx ITS 10.0063X
Certificate Number (IECEX)	TUV 12.1080 / TUV 12.1081
Certificate Number (INMETRO)	11396 - 1S - UL
Certificate Number (US - LCus)	11396 - 1S - CSA
Certificate Number (Canada - cLC)	POCC GB.ГБ.В00659
Certificate Number (Russia - GOST-R)	P306928/1/2
Certificate Number (India - CCE)	132.2980X / 13.2981X
Certificate Number (China - CNEX)	11671 - 1S
Certificate Number (Class - DIV)	

General Arrangement Drawing



1) Oxalis Base model	
XC26	Basic Oxalis platform for configuration
2) Camera Housing Type	
V	Visual (Day-Night) camera housing with precision polished toughened glass
3) Wiper Options	
W	Heavy duty 316L stainless steel wiper with pressure governing spring, resilient rubber blade
E	Heavy duty 316L stainless steel wiper with pressure governing spring, resilient rubber blade and spray nozzle including wiring for 24VAC switching from telemetry receiver for Oxalis external washer pump
N	No wiper
4) Video Type	
A	Analogue Video
5) Day-Night Camera Module Options	
1	Analogue 1/4" double density interline transfer block module, 650TVL (680TVL B/W), 37X optical zoom (3.5-129.5mm F1.6-F3.9), 16X digital zoom, minimum illumination 0.2 lux colour, 0.01 lux B/W, super dynamic range. Includes Oxalis 2450-400 telemetry interface PCB.
2	Analogue 1/3" super HAD II CCD 10X optical zoom (12X digital) block module (5.1-51mm F1.8 - 2.1). Includes Oxalis 2450-400 telemetry interface PCB.
4	Analogue 1/4" EXview HAD CCD (progressive scan) block module, 36x optical zoom, f=3.4 mm (wide) to 122.4 mm (tele), F1.6 to F4.5, 12X digital zoom, 550 TVL, minimum illumination 1.4 lx (F1.6, 50IRE).Includes Oxalis 2450-400 telemetry interface PCB.
5	Analogue 1/3" CMOS HD analogue block module, 700TVL, 30x optical zoom, f=4.3 mm (wide) to 129 mm (tele), F1.6 to F4.7, 32X digital zoom, 550 TVL, minimum illumination 0.5 lux colour, 0.1 lux B/W, IR cut filter, wide dynamic range. Includes Oxalis 2450-400 telemetry interface PCB.
C	Fitting of customer specific camera, subject to acceptance, conformity to regulation and testing.
6) Thermal Core Module Options	
N	No Thermal Core
7) Thermal Core Lens Options	
N	No thermal imaging lens
8) Video System	
P	PAL
N	NTSC
9) Supply Voltage	
1	24VAC supply
S	Special - price on application
10) Camera Rotation	
2	350° rotation restricted to +/- 175°

11) Protocol Requirements	
D	Pelco D protocol, Baud rate 2400bps
P	Pelco P protocol, Baud rate 4800bps
V	Vicon Protocol, Baud rate 4800bps
C	Coe (Digital Barriers) protocol
12) Certification Requirements	
A	ATEX certification: II 2 G Ex d op pr IIC II 2 D Ex tb IIIC T135°C Db IP66/67
I	IECEX certification: Ex d IIC -60°C ≤ Ta ≤ +60°C Gb Ex tb IIIC T130°C Db IP66/67
M	Inmetro certification: Ex d IIC -60°C ≤ Ta ≤ +60°C Gb Ex tb IIIC T130°C Db IP66/67
U	North America certification: Class 1 Zone 1 AEx d IIC Gb -60°C ≤ Ta ≤ +60°C IP66/67
Z	North America certification: Class 1 Division 1 Groups B, C, D. -60°C ≤ Ta ≤ +60°C / Class II Division 1 Groups E, F, G, IP66/67
C	Canadian certification: Ex d IIC -60°C ≤ Ta ≤ +60°C, IP66/67
R	GOST-R certification: Ex d IIC -60°C ≤ Ta ≤ +60°C Gb Ex tb IIIC T130°C Db IP6x - POCC GB.ГБ.В00659, IP66/67
D	CCOE certification: Ex d IIC -60°C ≤ Ta ≤ +60°C Gb Ex tb IIIC T130°C Db IP6x - P306928/1/2, IP66/67
X	CNEX certification (China) Ex d IIC Gb Ex tb IIIC 135C Db, IP66/67
13) Temperature Ranges (T Class)	
1	T4 temperature class at -20°C to +60°C operating temperature
2	T4 temperature class at -40°C to +60°C operating temperature
3	T4 temperature class at -60°C to +40°C operating temperature
4	T5 temperature class at -20°C to +60°C operating temperature (subject to build restrictions)
5	T5 temperature class at -40°C to +60°C operating temperature (subject to build restrictions)
6	T5 temperature class at -60°C to +40°C operating temperature (subject to build restrictions)
7	T6 temperature class at -20°C to +60°C operating temperature (subject to build restrictions)
8	T6 temperature class at -40°C to +40°C operating temperature (subject to build restrictions)
9	T6 temperature class at -60°C to +40°C operating temperature (subject to build restrictions)
14) Transmission	
0	Standard electrical connection compatible with build

Example Part Number

