

## Camera Mounting System (Swivel Joint & Pole Top Adaptor)

### Product Overview

The BFP00SW Swivel Joint & Pole Top Adaptor is specifically designed to accompany Oxalis fixed, explosion proof and safe area camera stations.

Optimised for use with the XF Series; XF26, XF40, XF60 and SF Series; SF26, SF40, SF60 Fixed CCTV camera stations, the rugged design and electropolished stainless steel construction ensures BFP00SW Swivel Joint & Pole Top Adaptor is suitable for use in onshore, offshore, marine and heavy industrial environments.

The BFP00SW Swivel Joint & Pole Top Adaptor is supplied with industry standard 101.6mm (4") fixing centres as well as M8 countersunk bolts and nuts for mounting to a variety of third party brackets or pole tops.

### Product Features

- ◆ Specifically for Use with XF Series and SF Series Fixed Camera Stations
- ◆ Onshore, Offshore, Marine & Heavy Industrial Applications
- ◆ Electropolished AISI 316L Stainless Steel Construction
- ◆ Up to 50kg Load
- ◆ Easy Installation
- ◆ Supplied with Industry Standard 101.6mm (4") Fixing Centres, M8 Countersunk Bolts & Nuts

## Technical Specifications

### SWIVEL JOINT & POLE TOP ADAPTOR

**BFP00SW**

Application

Onshore, Offshore, Marine and Heavy Industrial

Compatible Camera Station

Fixed Camera Stations  
XF Series – XF26, XF40, XF60  
SF Series – SF26, SF40, SF60

### FEATURES

Construction

AISI 316L Stainless Steel

Finish

Electropolished

Weight

1.1 Kg

Load Rating

50 Kg

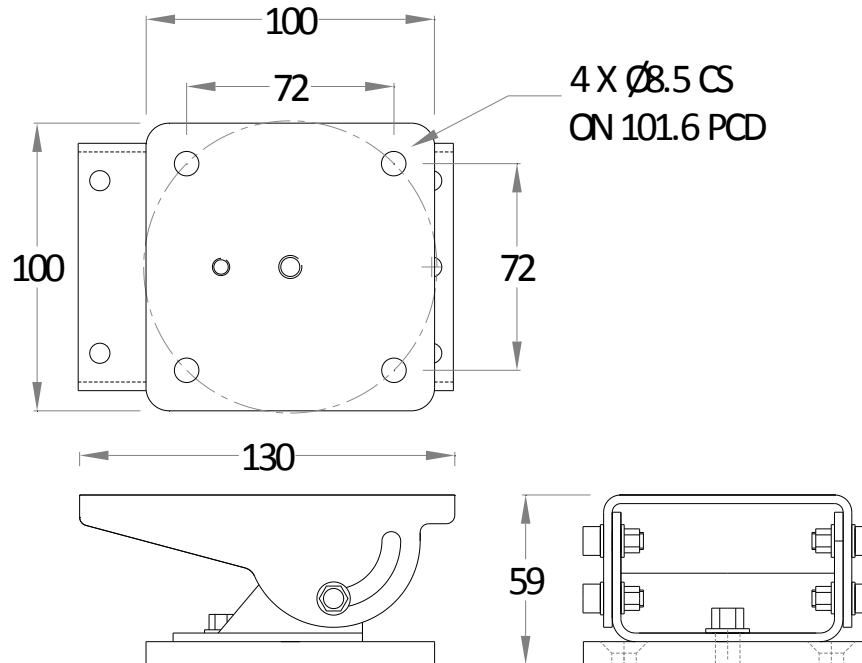
(Applies Only When Recommended Fixings Are Fitted)

Swivel Movement

Pan  $\pm 90^\circ$

Tilt  $\pm 45^\circ$

## Dimensions



## Order Code

FIXINGTYPE		VARIATION	
W	WALL	SW	INCLUDING SWMVEL
P	POLE	CL	POLE CLAMP
C	CORNER	OO	N/A
S	CEILING	SS	SPECIAL

<b>B</b>	<b>F</b>	<b>W</b>	<b>32</b>	<b>SW</b>
<b>FOR USE WITH</b>		<b>LENGTH</b>		
F	FIXED HOUSING	32	320MM	
P	P&T	50	500	
		68	688	
		00	N/A	

Information is a guide only. Subject to change without notification. E&OE