

IQL[®] Taurus Low Intensity Obstruction Warning Light

Transmission Towers
Industrial Chimneys
Offshore Oil & Gas – Cranes/Derricks
Construction Cranes



IQL® Taurus Obstruction Warning Light – Low Int

Overview

The IQL Taurus Obstruction Warning Light is hermetically sealed, so as to ensure that environmental conditions do not affect its functionality.

The lens is made out of Red coloured borosilicate glass – which is especially shock resistant and break proof.

IQL Taurus 85 PE-version is sealed without the use of screw fixings on the housing.

IQL Taurus 85 R-version is designed for applications where extremely harsh radiation conditions may occur, such as on medium wave transmitter, radio towers and antenna masts. The special shielding of the light with the Faraday cage prevents an effect of radiation on the functionality. With a wear-free design and long service intervals it is ideal for use on high, hard to reach points where maintenance duties are particularly very costly.

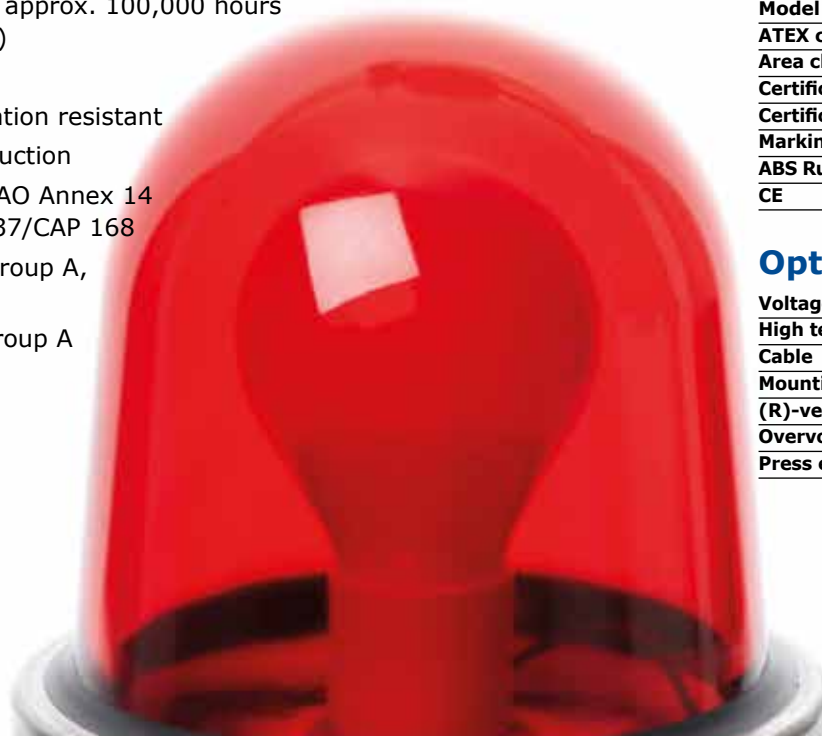
IQL Taurus 85 EM-version with LED emergency light has a replaceable external battery pack, which supplies a 3-hour emergency power source. The battery pack is connected to the fixture with a 250 mm long Ex-link cable. The emergency lighting unit which comprises of 6 power LEDs is subjected every 50 days to an automatic test to check system functionality. In order to further reduce impact on the environment, the battery pack has no nickel-cadmium.

In addition to the standard Ex e terminal block in the GRP junction box (IP66) there is the option for a surge protector to be installed, in order to protect against power fluctuations, lightning, etc.

The IQL Taurus Obstruction Warning Light is available either as an Ex-hazardous Area or Industrial Safe Area-version.

Characteristics

- Life expectancy approx. 100,000 hours (not for battery)
- Sealed unit
- Shock and vibration resistant
- Patented construction
- According to ICAO Annex 14 and CAA CAP 437/CAP 168
- Low Intensity Group A, Type A & B
- LEDs on only Group A and Type A



Technical Details

Model	_____
Light source	_____
Luminous flux (light source)	_____
Luminous intensity	_____
Luminous flux (light source) lm/w	_____
Lamp lumen depreciation	_____
System power	_____
Efficiency	_____
Light colour	_____
Ambient temperature	_____
Burning position	_____
(Re)ignition	_____
Voltage range	_____
Power factor/Cos φ	_____
IP Rating	_____
IEC protection classes	_____
Lens	_____
Mercury level	_____
Housing	_____
Weight of the light fitting	_____
Package weight per piece	_____
Package dimensions	_____
Standard version	_____

Emergency Light
Battery

Certificate Details

Model	_____
ATEX classification	_____
Area classification	_____
Certificate (ATEX)	_____
Certificate (GOST)	_____
Marking	_____
ABS Rules PDA Certificate	_____
CE	_____

Optional

Voltage range	_____
High temperature	_____
Cable	_____
Mounting brackets	_____
(R)-version	_____
Overvoltage protection	_____
Press edition	_____

ensity

IQL® Taurus 85

QL (Induction)
6,200 lm
Group A, Type A & B
73 lm/W
30 % loss after 60,000 hours
85 W
0.90
Red
-40 °C up to +40 °C
Universal
Immediate
200 - 277 Vac/dc ± 6 %
>0.98
IP66
Class 1
Red borosilicate glass
5.0 mg
Stainless steel AISI 316L
11.4 kg
12.35 kg
400x250x350 mm LxWxH
Standard Ex e junction box with 3x M25 entries (GRP)
Terminals suitable for max. 4 mm ²
Suitable for through wiring
--
--

IQL® Taurus 85 EM

QL (Induction)
6,200 lm
Group A, Type A & B
73 lm/W
30 % loss after 60,000 hours
85 W
0.90
Red
-20 °C up to +40 °C
Universal
Immediate
200 - 277 Vac/dc ± 6 %
>0.98
IP66
Class 1
Red borosilicate glass
5.0 mg
Stainless steel AISI 316L
18 kg
19 kg
550x250x350 mm LxWxH
Standard Ex e junction box with 3x M25 entries (GRP)
Terminals suitable for max. 4 mm ²
6 power LED Red (18 W)
Environmentally friendly (no nickel-cadmium), 3 hours battery back-up, Batteries charged within 24 hours, LED Status Indication Automatic test function with indication lights – approx. every 50 days, Fixture with 250 mm cable with Ex plug, Battery pack with Stainless Steel AISI 316L mounting, plate with female Ex connector

IQL® Taurus 85

Group II, Category 2, Gas and Dust
Category 2 (Zone 1 and 21)
KEMA 02ATEX1257X
POCC NL.HO06.B00732
Ex II 2 GD EEx me II T4 T135 °C
14-LD1100054D-PDA
Yes

IQL® Taurus 85 EM

Group II, Category 2, Gas and Dust
Category 2 (Zone 1 and 21)
KEMA 06ATEX0261
POCC NL.HO06.B00732
Ex II 2 GD Ex d e mb IIC T4 T135 °C IP66
14-LD1100054D-PDA
Yes

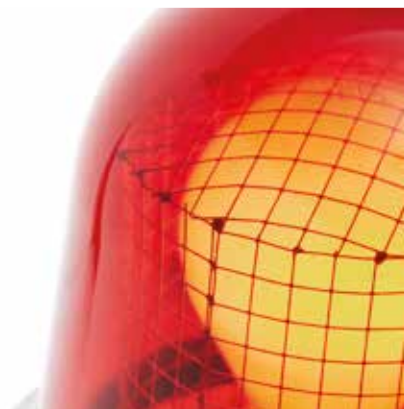
100 - 120 Vac/dc ± 6 %
Up to +55 °C Ambient
On request
On request
Faraday cage
On request
On request

--
--
On request
On request
--
--
On request

The IQL® Taurus Obstruction Warning Light with an excellent light output of up to 6,200 lumens and a power consumption of only 85 watts.



GRP junction box



Faraday cage

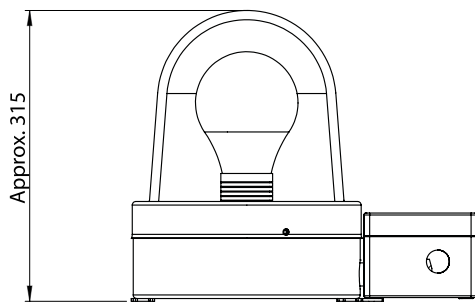
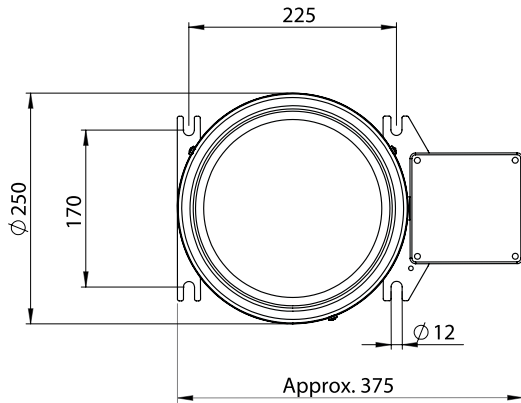


Replaceable external battery pack

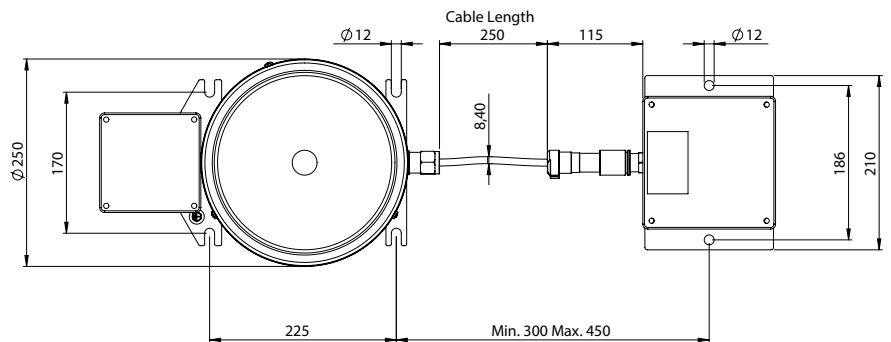
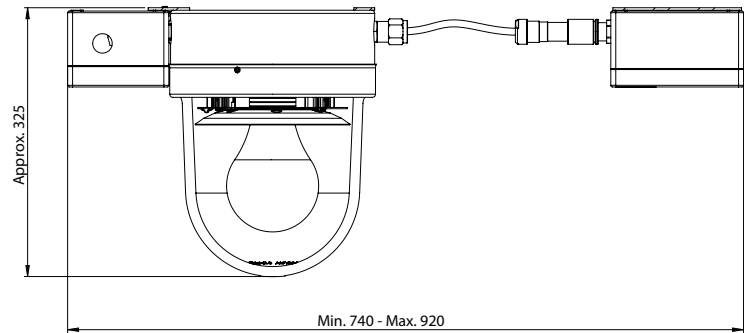


Strain Relief Kit

IQL Taurus 85



IQL Taurus 85 EM



Article Code	Version	Wattage	Voltage	Connection	Weight
EQNI4BG0C241	Ex	85 W	230V	Ex e junction box with 3x M25 entries	11.4 kg
EQNI4BG0C441	Safe Area	85 W	230V	Standard junction box with 3x M25 entries	11.4 kg
EQNI4BG0E241	Ex	85 W	230V	Ex e junction box with 3x M20 entries	11.4 kg
EQNI4BG0E441	Safe Area	85 W	230V	Standard junction box with 3x M20 entries	11.4 kg
EQRI4BG0C242	Ex	85 W	230V	Ex e junction box – 3x M25 entries with Emergency battery backup	18 kg
EQRI4BG0C442	Safe Area	85 W	230V	Standard junction box – 3x M25 entries with Emergency battery backup	18 kg

Accessories

Article Code	Version	Weight
EDISTRANKIT	Strain Relief Kit for IQL Taurus	1.1 kg



IMT B.V.
 Pascalweg 10a, 4104 BG Culemborg
 P.O. 88, 4100 AB Culemborg
 The Netherlands
 Tel: +31 88 12 69 100
<http://www.imt.eu>

IMT Lighting (UK) Ltd
 Saltergate Lane
 Bamford, Hope Valley
 S33 0BE
 Tel: +44 1433 695 518
<http://www.imt-lighting.com>

IMT Far East Pte Ltd
 22 Boon Lay Way
 #01-58 Level 2 Tradehub 21
 Singapore 609968
 Tel: +65 6341 5153
<http://www.imt.sg>

IMT Deutschland GmbH
 Hovesaatstraße 6
 48432 Rheine
 Germany
 Tel: +49 5971 802 9700
<http://www.imt-deutschland.de>