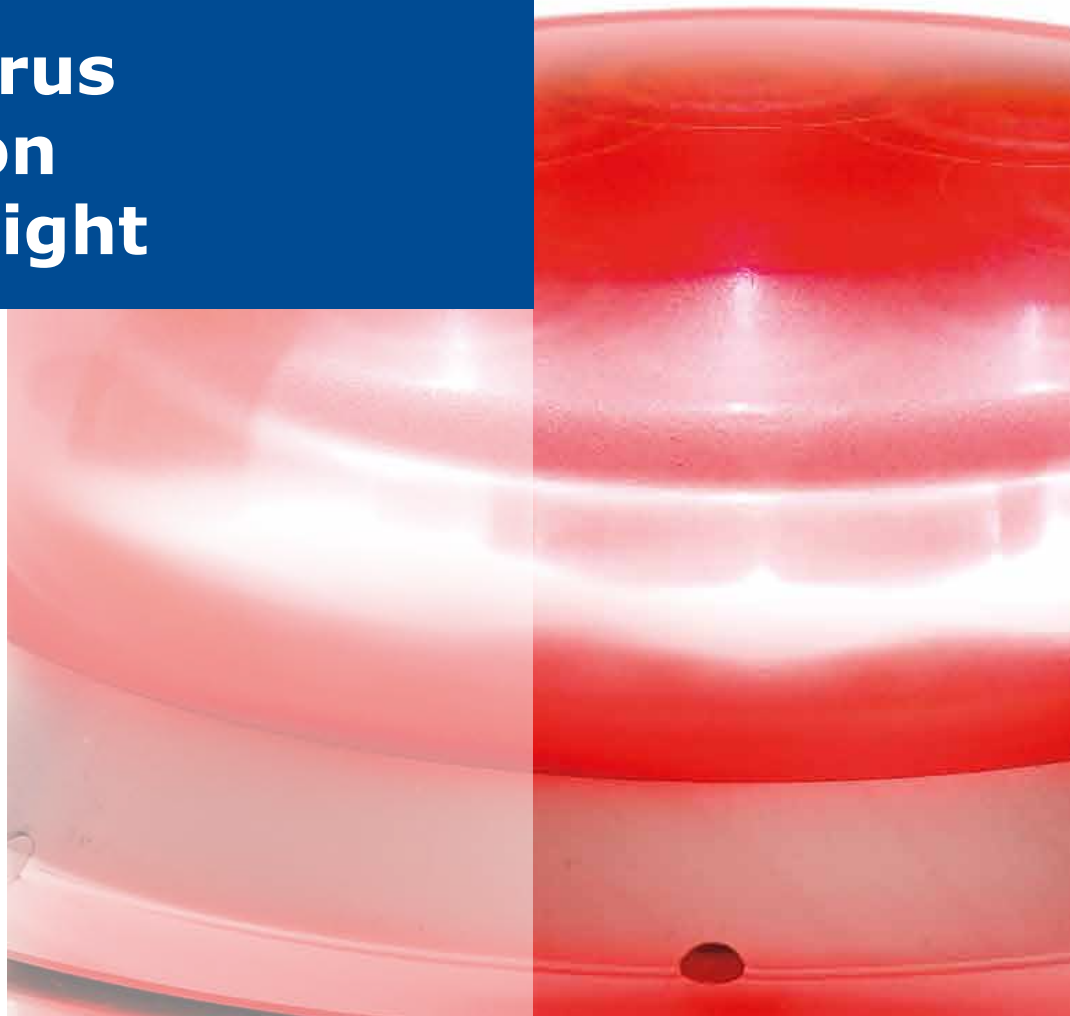


ILED® Taurus Obstruction Warning Light



Construction Cranes
Chimneys
Radio Towers
Machine Warning



ILED® Taurus Obstruction Warning Light – Low Intensity

Overview

The ILED Taurus Obstruction Warning Light is manufactured as a sealed unit, with a toughened soda-lime glass lens that has a high impact and fracture resistance and utilises the highest quality LEDs.

The output intensity of the LED lights is that as required according to CAA and ICAO guidelines and requirements. Complying to the ICAO and CAA regulations, ensures that clear identification of obstacles is assured during the night and in reduced visibility.

The main housing, mounting plate and fastenings are made of high quality stainless steel AISI 316L.

The IP66 rated junction box is protected by a sealing and packing which is made from highly weather and seawater resistant material, thus ensuring the unit is impermeable to moisture – making the ILED Taurus ideal for any environment.

Available either as a multi-voltage or 24 Vdc – the ILED Taurus Obstruction Warning Light is available as either an Ex-hazardous Area or Industrial Safe Area-version.

Characteristics

- Low maintenance
- Sealed unit
- Shock and vibration resistant
- According to ICAO Annex 14 and CAA CAP 437/CAP 168
- Low Intensity Group A, Type A & B



Technical Details

Model	ILED® Taurus Obstruction Light
Light source	LED
Luminous intensity	Group A, Type A & B
Average power	10 W
Light colour	Red
Ambient temperature	-40 °C up to +55 °C
Burning position	Universal
(Re)ignition	Immediate
Voltage range	95 – 255 Vac
Power factor/Cos φ	>0.90
IP Rating	IP66
Horizontal emission	360°
IEC protection classes	Class 1
Lens	Toughened soda lime glass
Housing	Stainless steel AISI 316L
Weight of the light fitting	9 kg
Package weight per piece	10 kg
Package dimensions	LxWxH 400x250x350 mm
Standard version	Standard Ex e junction box with 3x M20 entries (GRP) Terminals suitable for max. 4 mm ² Suitable for through wiring Strain Relief Kit

Certificate Details

Model	ILED® Taurus Obstruction Light
ATEX classification	Group II, Category 2, Gas and Dust
Area classification	Category 2 (Zone 1 and 21)
Certificate (ATEX)	KEMA 08ATEX0158X
Marking	Ex II 2 G Ex e mb II T4 Ex II 2 D Ex tD A21 IP66 T100 °C
ABS Rules PDA Certificate	14-LD1100054B-PDA
CE	Yes

Optional

Voltage range	130 – 360 Vdc/10 W 24 Vdc – 7.5 W
Cable	On request
Mounting brackets	On request
Entries	3x M25 entries

The ILED® Taurus Aircraft Obstruction Light complies with ICAO and CAA regulations with a power consumption of just 10 watts.



GRP junction box



Simple Mounting

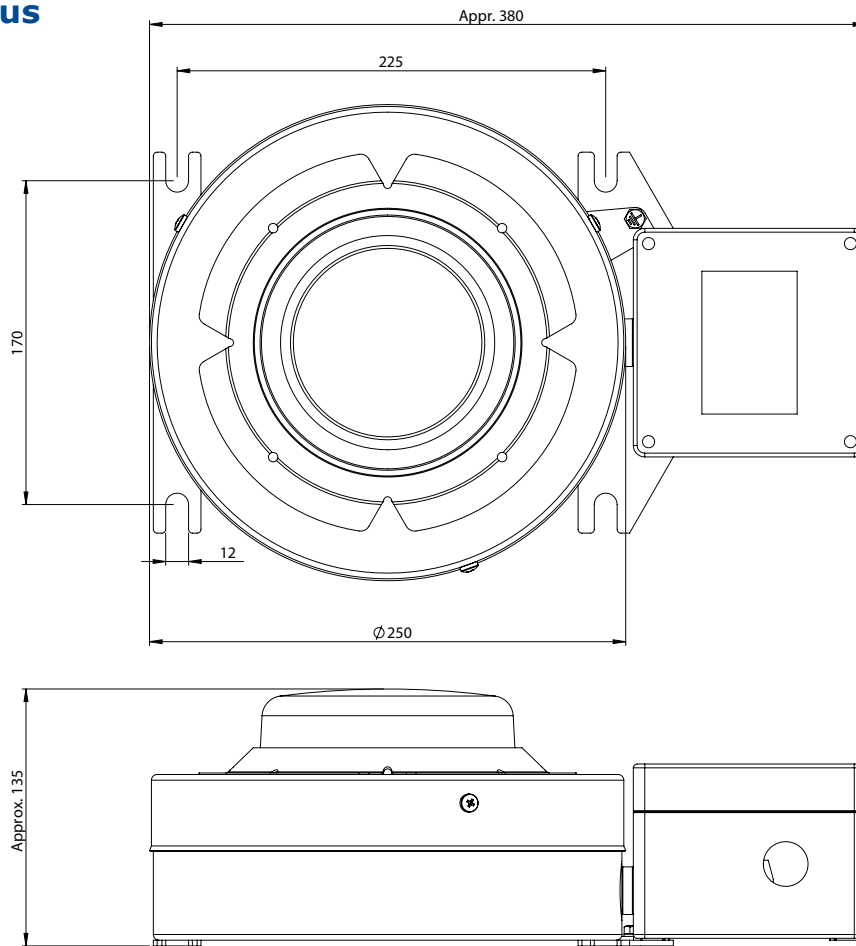


Sealed unit



Stainless steel

ILED® Taurus



Article Code	Version	Wattage	Voltage	Connection	Weight
ELOZ5AP0C243	Ex	10 W	95 – 255 Vac	Ex e junction box with 3 x M25 entries	9 kg
ELOZ5AP0E243	Ex	10 W	95 – 255 Vac	Ex e junction box with 3 x M20 entries	9 kg
ELOZ5AP0C443	Safe Area	10 W	95 – 255 Vac	Standard junction box with 3 x M25 entries	9 kg
ELOZ5AP0E443	Safe Area	10 W	95 – 255 Vac	Standard junction box with 3 x M20 entries	9 kg
ELOZ1AP0C243	Ex	7.5 W	24 Vdc	Ex e junction box with 3 x M25 entries	9 kg
ELOZ1AP0E243	Ex	7.5 W	24 Vdc	Ex e junction box with 3 x M20 entries	9 kg
ELOZ1AP0C443	Safe Area	7.5 W	24 Vdc	Standard junction box with 3 x M25 entries	9 kg
ELOZ1AP0E443	Safe Area	7.5 W	24 Vdc	Standard junction box with 3 x M20 entries	9 kg

Accessories

Article Code	Version	Weight
EDISTRAINLOW	for ILED Taurus	1.3 kg



IMT B.V.
 Pascalweg 10a, 4104 BG Culemborg
 P.O. 88, 4100 AB Culemborg
 The Netherlands
 Tel: +31 88 12 69 100
<http://www.imt.eu>

IMT Lighting (UK) Ltd
 Saltergate Lane
 Bamford, Hope Valley
 S33 0BE
 Tel: +44 1433 695 518
<http://www.imt-lighting.com>

IMT Far East Pte Ltd
 22 Boon Lay Way
 #01-58 Level 2 Tradehub 21
 Singapore 609968
 Tel: +65 6341 5153
<http://www.imt.sg>

IMT Deutschland GmbH
 Hovesaatstraße 6
 48432 Rheine
 Germany
 Tel: +49 5971 802 9700
<http://www.imt-deutschland.de>