

ILED® Dorado Helideck Status Light

CAP 437 Helideck Platforms
Offshore Windfarm Installations
NavAid Systems



ILED® Dorado Helideck Status Light

Overview

The ILED Dorado is hermetically sealed, so as to ensure that environmental conditions do not affect the functionality of the light.

The housing is manufactured from marine grade aluminium alloy – making the product extremely resistant to seawater.

A special and unique thermal management system ensures that the cooling fins of the ILED Dorado provide for highly efficient cooling – even at high ambient temperatures. With no moving parts or mechanisms the light has an extremely high shock and vibration resistance and low maintenance.

The lens is made out of toughened borosilicate glass – which is especially shock resistant and break proof. In utilising the highest quality LEDs, the ILED Dorado has a low maintenance long operating lifetime.

The electronics and IP66 rated junction box are located in the base, the sealing and packing of which is made from highly weather and seawater resistant material, thus ensuring the light is impermeable to moisture.

The ILED Dorado is available either as an Ex-hazardous Area or Industrial Safe Area-version – and both with the option of a bird deterrent spike.

Characteristics

- Low maintenance
- Sealed unit
- Shock and vibration resistant
- No moving parts
- Special heat management system
- According to IALA regulation

Technical Details

Model	ILED® Dorado Marine Lantern 10 NM
Light source	LED
Luminous intensity	10 NM (>1,400 cd)
Luminous intensity dimmed	--
Flash frequency	Morse Code – "U"
Average power	9 W
Light colour	White
Ambient temperature	-40 °C up to +55 °C
Burning position	Base Down
(Re)ignition	Immediate
Voltage range	24 Vdc ± 10 %
IP Rating	IP66
Horizontal Emission	360°
IEC protection classes	Class 1
Lens	Toughened borosilicate glass
Housing	Marine Grade Aluminium Anodized
Weight of the light fitting	16 kg
Package weight per piece	17 kg
Package dimensions	400x400x380 mm LxWxH
Standard version	Ex e junction box with 3x M25 entries
Information	Control, monitoring and Synchronization from NavAid Central Control Panel Automatic operation via central photocell from NavAid Central Control panel

Certificate Details

ATEX classification	Group II, Category 2, Gas and Dust
Area classification	Category 2 (Zone 1 and 21)
Certificate (IECEX)	IECEX SIR 11.0031X
Certificate (ATEX)	SIRA 11ATEX3053X
Marking	Ex II 2 G Ex e mb IIC T4 Gb Ex II 2 D Ex tb IIIC T135 Db IP66
CE	Yes
According regulations	IALA
ABS Rules PDA Certificate	14-LD1100054C-PDA





ILED® Dorado Marine Lantern 15 NM

LED
15 NM (>12,000 cd)
--
Morse Code - "U"
65 W
White
-40 °C up to +55 °C
Base Down
Immediate
230 Vac ± 5 %
IP66
360°
Class 1
Toughened borosilicate glass
Marine Grade Aluminium Anodized
25 kg
26 kg
400x400x600 mm LxWxH
Ex e junction box with 3x M25 entries
Control, monitoring and Synchronization from NavAid Central Control Panel
Automatic operation via central photocell from NavAid Central Control panel

ILED® Dorado Status Light

LED
2 - 10° 700 cd min.
0 - 90° 176 cd min.
60 cd max.
2 Hz
80 W
Red
-40 °C up to +55 °C
Base Down
Immediate
24 Vdc ± 10 %
IP66
360°
Class 1
Toughened borosilicate glass
Marine Grade Aluminium Anodized
16 kg
17 kg
400x400x380 mm LxWxH
Ex e junction box with 3x M25 entries
--

Group II, Category 2, Gas and Dust

Category 2 (Zone 1 and 21)
IECEX SIR 11.0031X
SIRA 11ATEX3053X
Ex II 2 G Ex e mb IIC T4 Gb
Ex II 2 D Ex tb IIIC T135 Db IP66
Yes
IALA
14-LD1100054C-PDA

Group II, Category 2, Gas and Dust

Category 2 (Zone 1 and 21)
IECEX SIR 11.0031X
SIRA 11ATEX3053X
Ex II 2 G Ex e mb IIC T4 Gb
Ex II 2 D Ex tb IIIC T135 Db IP66
Yes
ICAO Annex 14, CAA CAP 437 &
IMO Modu code 2001
14-LD1100054C-PDA

Optional

Voltage / Power	Status Light	10 NM
	115 Vac ± 5 %/100 W	12 Vdc -10 %/+20 %/10.0 W
	230 Vac ± 5 %/100 W	115 Vac ± 5 %/13.5 W
		230 Vac ± 5 %/13.5 W
Cable	On request	
Facility for synchronisation through GPS	On request	
Bird spike	On request	
Mounting	On request	
Pedestal	On request	

The ILED® Dorado Marine Lantern produces an extraordinary light output of 10 nautical miles with a power consumption of only 9 watts.



Fresnel Lens, Borosilicate Glass



IMT® ILED® Technology

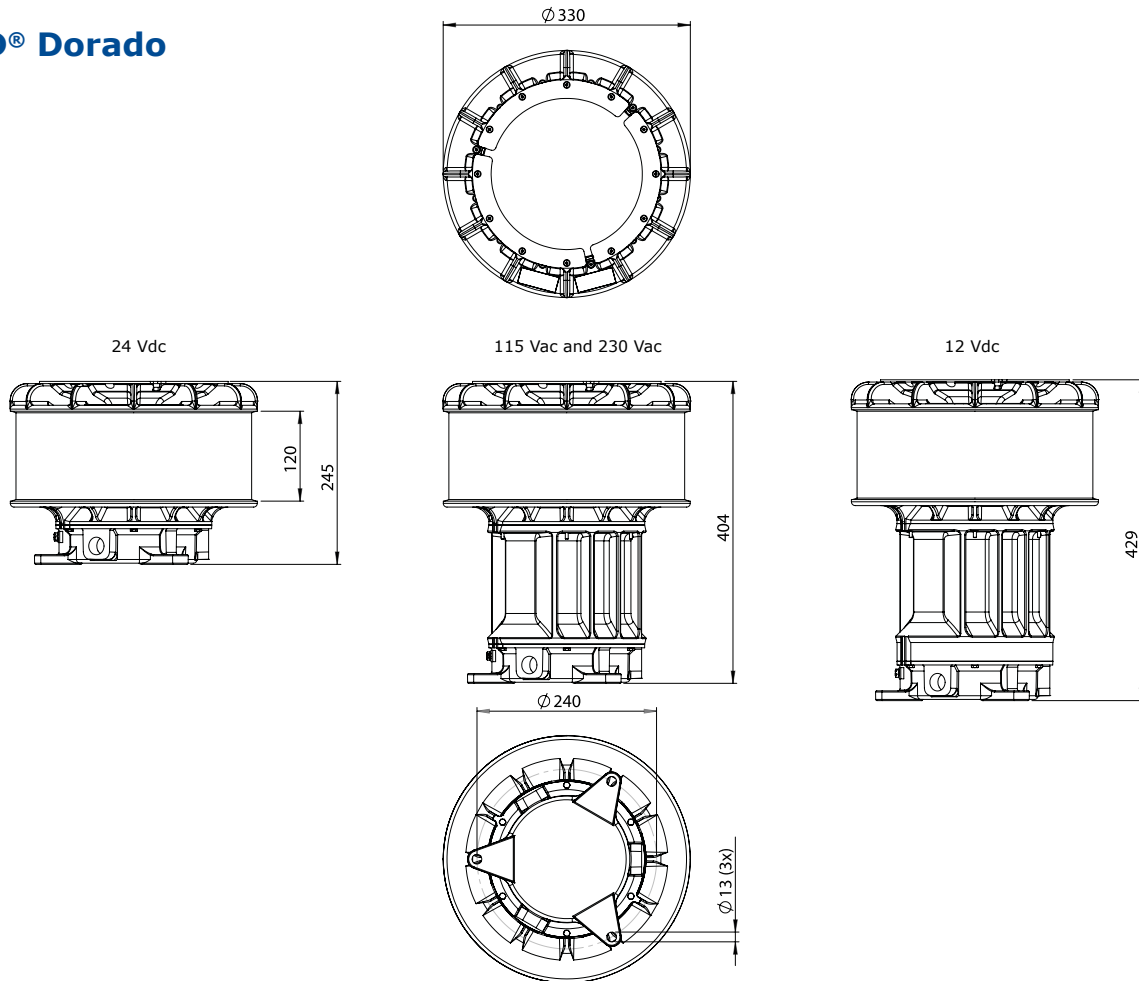


Efficient Cooling



Marine Lantern System

ILED® Dorado



Articel Code	Version	Wattage	Voltage	Connection	Weight
ELUA1JAJFA243	10 NM - Ex	9 W	24 Vdc	Ex e junction box with 3x M25 entries	17 kg
ELUAFJAJFA243	10 NM - Ex	13.5 W	115 Vac	Ex e junction box with 3x M25 entries	25 kg
ELUA4JAJFA243	10 NM - Ex	13.5 W	230 Vac	Ex e junction box with 3x M25 entries	25 kg
ELUAGJAJFA243	10 NM - Ex	10 W	12 Vdc	Ex e junction box with 3x M25 entries	25 kg
ELUA4JAGA243	15 NM - Ex	65 W	230 Vac	Ex e junction box with 3x M25 entries	25 kg
ELWA1HAJA243	Status Light - Ex	80 W	24 Vdc	Ex e junction box with 3x M25 entries	17 kg
ELWAFHAJA243	Status Light - Ex	100 W	115 Vac	Ex e junction box with 3x M25 entries	25 kg
ELWA4HAJA243	Status Light - Ex	100 W	230 Vac	Ex e junction box with 3x M25 entries	25 kg

Accessories

Article Code	Version	Weight
CDI0200	Pedestal for Dorado Lantern	1.36 kg



IMT B.V.
 Pascalweg 10a, 4104 BG Culemborg
 P.O. 88, 4100 AB Culemborg
 The Netherlands
 Tel: +31 88 12 69 100
<http://www.imt.eu>

IMT Lighting (UK) Ltd
 Saltergate Lane
 Bamford, Hope Valley
 S33 0BE
 Tel: +44 1433 695 518
<http://www.imt-lighting.com>

IMT Far East Pte Ltd
 22 Boon Lay Way
 #01-58 Level 2 Tradehub 21
 Singapore 609968
 Tel: +65 6341 5153
<http://www.imt.sg>

IMT Deutschland GmbH
 Hovesaatstraße 6
 48432 Rheine
 Germany
 Tel: +49 5971 802 9700
<http://www.imt-deutschland.de>