

ILED® Aquarius Perimeter/Repeater/ Signal Light

**CAP 437 Helideck Platforms
Offshore Industry
(Petro) Chemical Industry
Signalisation**



ILED® Aquarius Perimeter/Repeater/Signal Light

Overview

The ILED Aquarius – in all its variants – is manufactured with a toughened soda lime glass lens that has a high impact and fracture resistance and utilises the highest quality of high power LEDs – in the colours of Green, Red, Blue, Amber, and White.

The output intensity of the LED lights is that as required according to CAA and ICAO guidelines and requirements.

The main housing, mounting plate and fastenings are made of high quality stainless steel AISI 316L. The IP66 rated junction box is protected by a sealing and packing which is made from highly weather and seawater resistant material, thus ensuring the unit is impermeable to moisture.

The ILED Aquarius is available as either an Ex-hazardous Area or Industrial Safe Area-version.

Characteristics

- Low maintenance
- Sealed unit
- Shock and vibration resistant

Technical Details

Model	ILED® Aquarius Perimeter Light
Light source	LED
Luminous intensity	According to CAP 437
Average power	9 W
Light colour	Green
Flash frequency	--
Ambient temperature	-40 °C up to +55 °C
Burning position	Universal
(Re)ignition	Immediate
Voltage range	95 – 255 Vac
Power factor/Cos φ	>0.90
IP Rating	IP66
IEC protection classes	Class 1
Light distribution	--
Lens	Toughened soda lime glass
Housing	Stainless steel AISI 316L
Weight of the light fitting	9 kg
Package weight per piece	10 kg
Package dimensions	390x260x240 mm LxWxH
Flash frequency	--
Standard version	Standard Ex e junction box 3x M20 entries (GRP) Terminals suitable for max. 4 mm ² Suitable for through wiring

Certificate Details

Model	ILED® Aquarius Perimeter Light
ATEX classification	Group II, Category 2, Gas and Dust
Area classification	Category 2 (Zone 1 and 21)
Certificate (ATEX)	KEMA 08ATEX0158X
Marking	Ex II 2 G Ex e mb II T4 Ex II 2 D Ex tD A21 IP66 T100 °C
According	ICAO (Annex 14), CAA CAP 437 and IMO Modu Code 2009, helideck as per § 13.3.2
ABS Rules PDA Certificate	14-LD1100054B-PDA
CE	Yes



ILED® Aquarius Bi-colour Perim.	ILED® Aquarius Repeater Light	ILED® Aquarius Signal Light
LED	LED	LED
--	16 – 60 cd	Depends on light distribution
--	5 W	12 W max.
Green/Yellow 10 W max. Green/Blue 20 W max.	Red	White
--	1 Hz or 2 Hz, sync possible	--
-40 °C up to +55 °C	-40 °C up to +55 °C	-40 °C up to +55 °C
Universal	Universal	Universal
Immediate	Immediate	Immediate
100 – 240 Vac	24 Vdc ± 10 %	95 – 255 Vac
>0.90	--	>0.90
IP66	IP66	IP66
Class 1	Class 1	Class 1
--	--	Side emitting
Toughened soda lime glass	Toughened soda lime glass	Toughened soda lime glass
Stainless steel AISI 316L	Stainless steel AISI 316L	Stainless steel AISI 316L
9 kg	9 kg	9 kg
10 kg	10 kg	10 kg
390x260x240 mm LxWxH	390x260x240 mm LxWxH	390x260x240 mm LxWxH
--	1 Hz or 2 Hz – Sync. possible	--
Standard Ex e junction box 3x M20 entries (GRP)	Standard Ex e junction box 3x M20 entries (GRP)	Standard Ex e junction box 3x M20 entries (GRP)
Terminals suitable for max. 4 mm ² Suitable for through wiring	Terminals suitable for max. 4 mm ² Suitable for through wiring	Terminals suitable for max. 4 mm ² Suitable for through wiring



CAP 437 Repeater Light



Sealed unit

ILED® Aquarius Bi-colour Perim.	ILED® Aquarius Repeater Light	ILED® Aquarius Signal Light
--	Group II, Category 2, Gas & Dust Category 2 (Zone 1 and 21)	Group II, Category 2, Gas & Dust Category 2 (Zone 1 and 21)
--	KEMA 08ATEX0158X	KEMA 08ATEX0158X
--	Ex II 2 G Ex e mb II T4	Ex II 2 G Ex e mb II T4
--	Ex II 2 D Ex tD A21 IP66 T100 °C	Ex II 2 D Ex tD A21 IP66 T100 °C
--	ICAO (Annex 14), CAA CAP 437 and IMO Modu Code 2009, helideck as per § 13.3.2	--
--	14-LD1100054B-PDA	14-LD1100054B-PDA
Yes	Yes	Yes



Stainless steel AISI 316L Housing

Optional

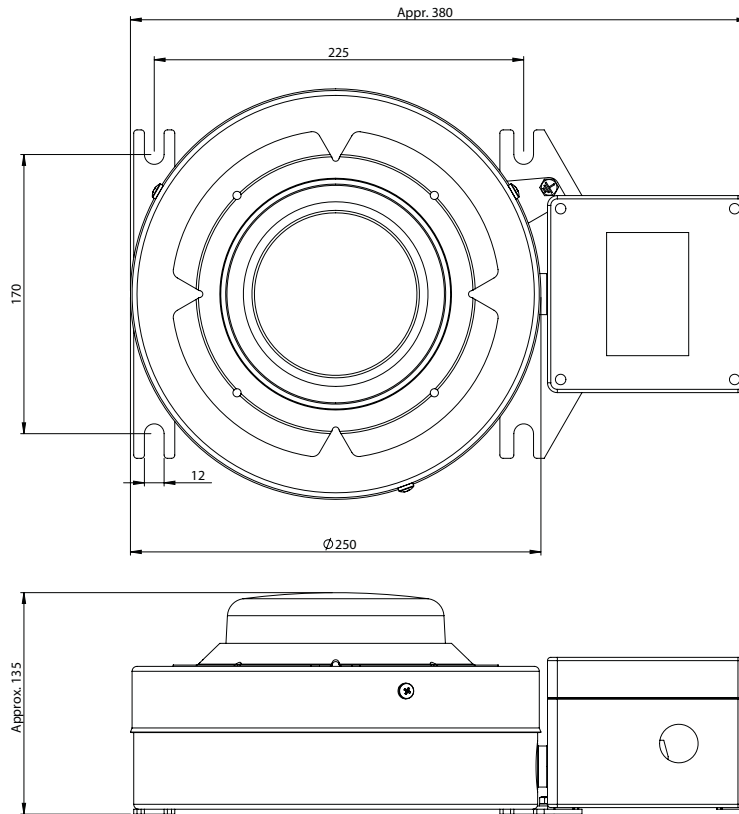
Light colour	ILED® Aquarius Perimeter & Signal Light Natural White/Warm White/Green/Blue/Royal Blue/Red/Amber
Voltage range	ILED® Aquarius Perimeter Light 24 Vdc ± 10 % – 4 W ILED® Aquarius Signal Light 130 – 360 Vdc – max. 12 W 24 Vdc ± 10 % – max. 10 W
Cable	On request
Mounting	On request
Entries	ILED® Aquarius Perimeter – 3x M25 entries
Light distribution	ILED® Aquarius Signal Light – Lambertian
Flash frequency	On request
Version	ILED® Aquarius Repeater Light Stand-alone-version – No synchronization possible



GRP Junction Box

The ILED® Aquarius Perimeter light has the required light distribution according CAP 437 – but with a power consumption of just 9 watts.

ILED® Aquarius Perimeter/Repeater/Signal Light



Article Code	Version	Wattage	Voltage	Connection	Weight
ELPZ5AP0E243	Perimeter Ex	9 W	95 – 255 Vac	Ex e junction box with 3x M20 entries	9 kg
ELPZ5AP0C243	Perimeter Ex	9 W	95 – 255 Vac	Ex e junction box with 3x M25 entries	9 kg
ELPZ5AP0E443	Perimeter Safe Area	9 W	95 – 255 Vac	Standard junction box with 3x M20 entries	9 kg
ELPZ5AP0C443	Perimeter Safe Area	9 W	95 – 255 Vac	Standard junction box with 3x M25 entries	9 kg
ELPZ1AP0E243	Perimeter Ex	4 W	24 Vdc	Ex e junction box with 3x M20 entries	9 kg
ELPZ1AP0C243	Perimeter Ex	4 W	24 Vdc	Ex e junction box with 3x M25 entries	9 kg
ELPZ1AP0E443	Perimeter Safe Area	4 W	24 Vdc	Standard junction box with 3x M20 entries	9 kg
ELPZ1AP0C443	Perimeter Safe Area	4 W	24 Vdc	Standard junction box with 3x M25 entries	9 kg
ELPZ5PP0S443	Bi-colour Peri. Safe Area – Green/Blue	20 W	100 – 240 Vac	Standard junction box with 3x M25 entries	9 kg
ELPZ5QP0S443	Bi-colour Peri. Safe Area – Green/Yellow	10 W	100 – 240 Vac	Standard junction box with 3x M25 entries	9 kg
ELRZ1AP0E443	Repeater Safe Area – System	5 W	24V	Standard junction box with 3x M20 entries	9 kg
ELRZ1AP0E243	Repeater Ex – System	5 W	24V	Ex e junction box with 3x M20 entries	9 kg
ELRZHAP0E243	Repeater Ex – Stand Alone flashing	5 W	24V	Ex e junction box with 3x M20 entries	9 kg
ELSX5FP0E443	Signal Safe Area – Blue	20 W	95 – 255 Vac	Standard junction box with 3x M20 entries	9 kg
ELSX5FP0E243	Signal Ex – Blue	20 W	95 – 255 Vac	Ex e junction box with 3x M20 entries	9 kg



IMT B.V.
 Pascalweg 10a, 4104 BG Culemborg
 P.O. 88, 4100 AB Culemborg
 The Netherlands
 Tel: +31 88 12 69 100
<http://www.imt.eu>

IMT Lighting (UK) Ltd
 Saltergate Lane
 Bamford, Hope Valley
 S33 0BE
 Tel: +44 1433 695 518
<http://www.imt-lighting.com>

IMT Far East Pte Ltd
 22 Boon Lay Way
 #01-58 Level 2 Tradehub 21
 Singapore 609968
 Tel: +65 6341 5153
<http://www.imt.sg>

IMT Deutschland GmbH
 Hovesaatstraße 6
 48432 Rheine
 Germany
 Tel: +49 5971 802 9700
<http://www.imt-deutschland.de>