



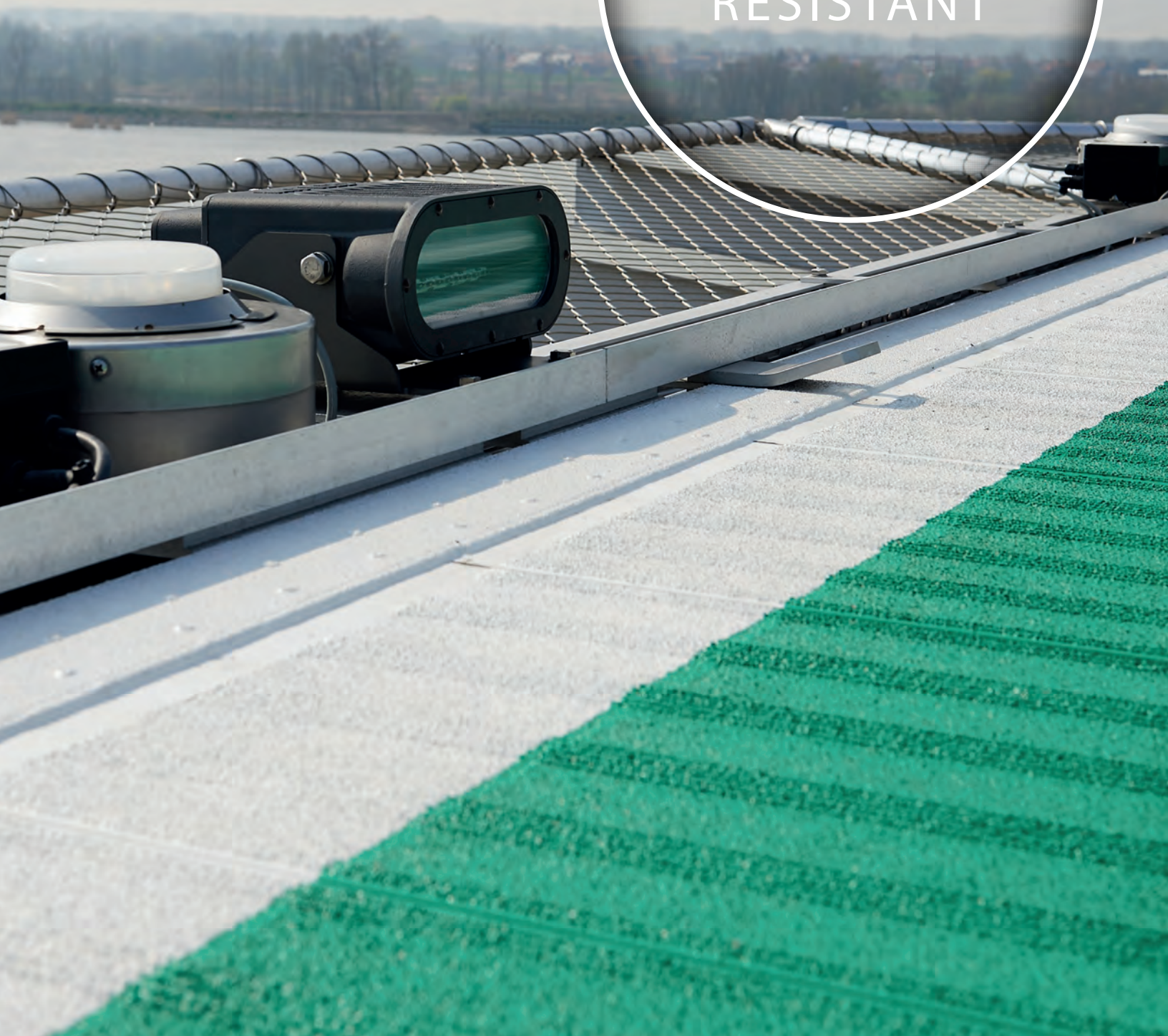
ILED Aquarius Helideck Floodlight

CAP 437 HELIDECKS - OFFSHORE INDUSTRIES - PETRO-CHEM INDUSTRIES - GENERAL LIGHTING



ILED Aquarius Helideck Floodlight

SHOCK AND
VIBRATION
RESISTANT



ILED Aquarius Helideck Floodlight

Sand cast out of an extremely corrosion resistant AlMg(5)Si alloy, hard anodized and finished with a Teflon coating, the ILED Aquarius helideck floodlight will keep performing in even the most extreme conditions. The use of a PMMA Fresnel lens which is mounted on toughened glass results in a very tough, impact and vibration resistant fixture with a focussed light beam which minimizes glare.

The fixture is hermetically sealed, and all electronics are encapsulated, completely protecting them from the corrosive influences of a marine environment. The innovative internal cooling duct draws in cool air behind the LEDs, keeping them cool and ensuring an exceptionally long life expectancy without the degradation of light output over time common high-output LED fixtures are subject to.

The result of the use of durable materials, smart and innovative design choices results in an extremely reliable helideck floodlight which requires an absolute minimum of maintenance.

The ILED Aquarius Floodlight is available as either an Ex-hazardous Area or Industrial Safe Area-version.

Characteristics

- Low maintenance
- Sealed unit
- Shock and vibration resistant
- According to ICAO Annex 14, CAA CAP 437 and IMO Modu Code 2009, helideck as per § 13.3.2

Technical Details

Light source	LED
Luminous intensity	15,000 cd
Average power	40 W
Light colour	White
Ambient temperature	-40 °C up to +55 °C
Burning position	Universal
(Re)ignition	Immediate
Voltage range	95 – 250 Vac
Power factor/Cos ϕ	>0.90
IP Rating	IP66
IEC protection classes	Class 1
Lens	Toughened glass with internal fresnel lens (PMMA)
Housing	Marine Grade Aluminium Anodized
Weight of the light fitting	11 kg
Package weight per piece	12 kg
Package dimensions	400 x 400 x 380 mm LxWxH
Standard version	Ex e junction box 2x M25x1.5 entries Terminals suitable for max. 4 mm ² Suitable for through wiring

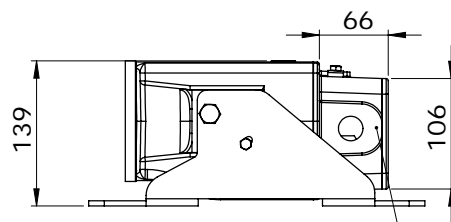
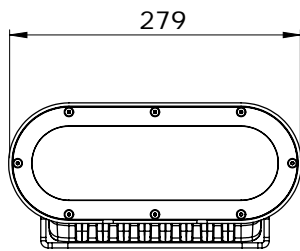
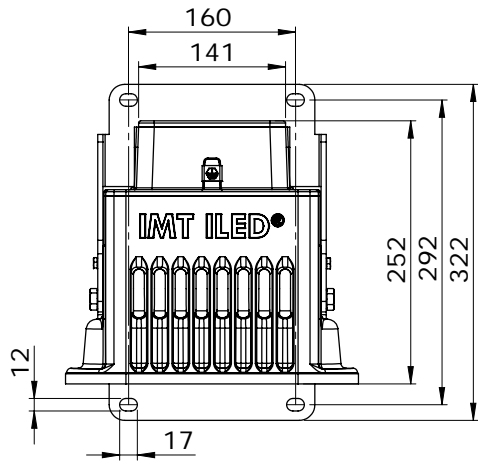
Certificate Details

ATEX classification	Group II, Category 2, Gas and Dust
Area classification	Category 2 (Zone 1 and 21)
Certificate (IECEX)	IECEX SIR 11.0142X
Certificate (ATEX)	SIRA 11ATEX3295X
Marking	Ex II 2 G Ex e mb IIC T4 Gb Ex II 2 D Ex tb IIIC T135 °C Db IP66
ABS Rules PDA Certificate	14-LD1100054A-PDA
CE	Yes

Optional

Voltage range	24 Vdc \pm 10 % – 40 W
Lens	Without Fresnel Lens
Cable	On request
Mounting	On request
Dimmable	On request (only ex-Version)

ILED Aquarius Helideck Floodlight



M25x1.5 Entry (2x)



Order Codes

Article Code	Version	Wattage	Voltage	Connection	Weight
102.001	Ex	40 W	24V	Ex e junction box with 2x M25x1.5 entries	11 kg
102.002	Safe Area	40 W	24V	Junction box with 2x M25x1.5 entries	11 kg
102.003	Ex	40 W	95 – 250 Vac	Ex e junction box with 2x M25x1.5 entries	11 kg
102.004	Safe Area	40 W	95 – 250 Vac	Junction box with 2x M25x1.5 entries	11 kg



Source IEx
 19998 Hickory Twig Way
 Spring, TX 77388
 sales@sourceiex.com
 Tel: (281) 882-8300
 www.sourceiex.com



www.sourceiex.com

www.tidelandsignal.com