

ILED® Aquarius Helideck Floodlight



CAP 437 Helidecks
Offshore Industry
(Petro) Chemical Industry
General Lighting



ILED® Aquarius Helideck Floodlight

Overview

The ILED Aquarius Helideck Floodlight is made with an anodized, marine grade aluminium casting, making it highly resistant to seawater environments and therefore perfectly suitable for marine applications. The integral mounting bracket allows the unit to be easily fixed and the direction of the beam in the horizontal to be adjusted.

The light cover is made of clear toughened glass which is extremely shock resistant and break proof with a Fresnel (PMMA) lens. The high Power LEDs in combination with the fresnel lens produce a superior light output.

A special design feature of this product is in the heat management – the ILED Aquarius Floodlight has a series of cooling fins with air ducts to dissipate the heat generated from the LEDs, which means that even in conditions of direct sunlight and high temperatures, the light unit continues to be cooled.

The connection box is integral to the aluminium main housing and is manufactured with two cable entries for M25 cable glands.

The ILED Aquarius Floodlight is available as either an Ex-hazardous Area or Industrial Safe Area-version.

Charateristics

- Low maintenance
- Sealed unit
- Shock and vibration resistant
- According to ICAO Annex 14, CAA CAP 437 and IMO Modu Code 2009, helideck as per § 13.3.2



Technical Details

Model	ILED® Aquarius Helideck Floodlight
Light source	LED
Luminous intensity	15,000 cd
Average power	40 W
Light colour	White
Ambient temperature	-40 °C up to +55 °C
Burning position	Universal
(Re)ignition	Immediate
Voltage range	95 – 250 Vac
Power factor/Cos φ	>0.90
IP Rating	IP66
IEC protection classes	Class 1
Lens	Toughened glass with internal fresnel lens (PMMA)
Housing	Marine Grade Aluminium Anodized
Weight of the light fitting	11 kg
Package weight per piece	12 kg
Package dimensions	400x400x380 mm LxWxH
Standard version	Ex e junction box 2x M25x1.5 entries Terminals suitable for max. 4 mm ² Suitable for through wiring

Certificate Details

Model	ILED® Aquarius Helideck Floodlight
ATEX classification	Group II, Category 2, Gas and Dust
Area classification	Category 2 (Zone 1 and 21)
Certificate (IECEX)	IECEX SIR 11.0142X
Certificate (ATEX)	SIRA 11ATEX3295X
Marking	Ex II 2 G Ex e mb IIC T4 Gb Ex II 2 D Ex tb IIIC T135 °C Db IP66
ABS Rules PDA Certificate	14-LD1100054A-PDA
CE	Yes

Optional

Voltage range	24 Vdc ± 10 % – 40 W
Lens	Without Fresnel Lens
Cable	On request
Mounting	On request

Either with the power options of multi-voltage or 24 Vdc, bright and precise light output – with a power consumption of just 40 watts.



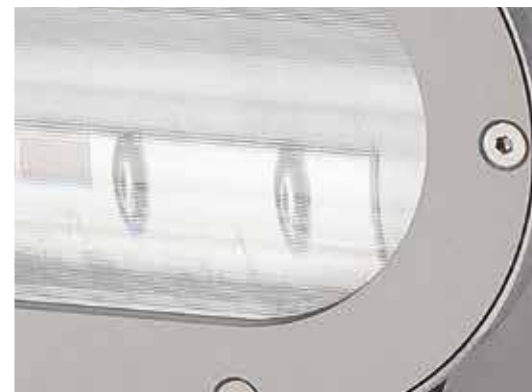
Special Beam Patterns



Adjustable Mounting Bracket

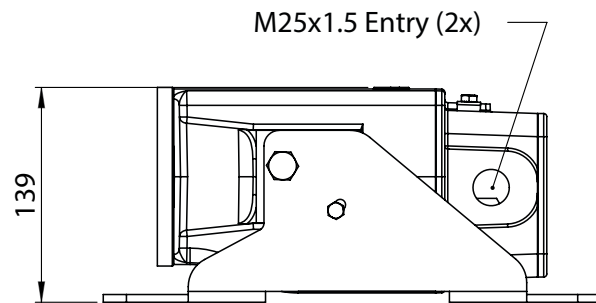
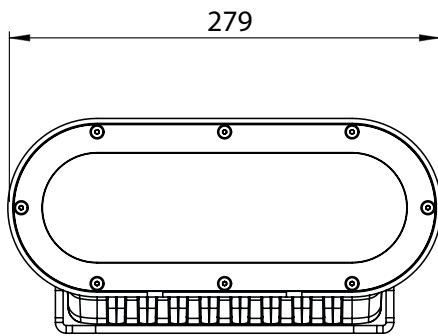
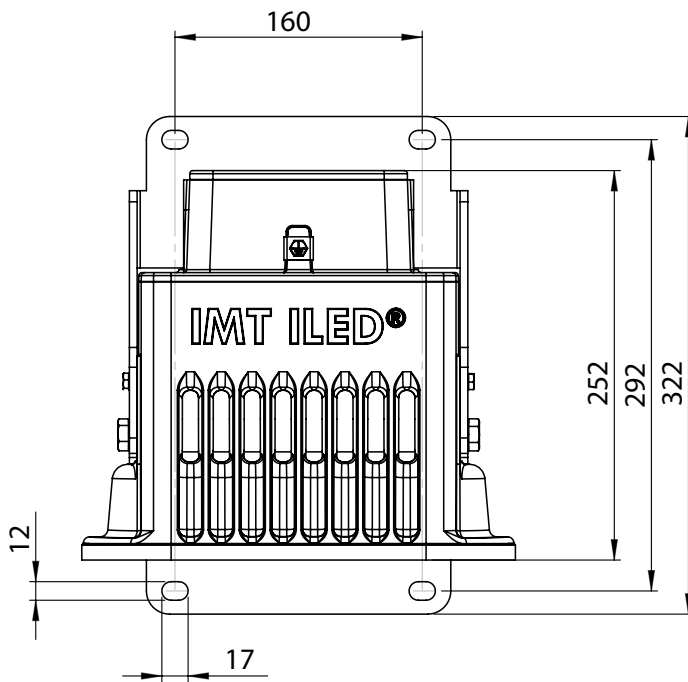


Heat Management



IMT® ILED®

ILED Aquarius Helideck Floodlight



Article Code	Version	Wattage	Voltage	Connection	Weight
ELFA1KZ0A243	Ex	40 W	24V	Ex e junction box with 2x M25x1.5 entries	11 kg
ELFA1KZ0A443	Safe Area	40 W	24V	Junction box with 2x M25x1.5 entries	11 kg
ELFA5KZ0A243	Ex	40 W	95 – 250 Vac	Ex e junction box with 2x M25x1.5 entries	11 kg
ELFA5KZ0A443	Safe Area	40 W	95 – 250 Vac	Junction box with 2x M25x1.5 entries	11 kg



IMT B.V.
 Pascalweg 10a, 4104 BG Culemborg
 P.O. 88, 4100 AB Culemborg
 The Netherlands
 Tel: +31 88 12 69 100
<http://www.imt.eu>

IMT Lighting (UK) Ltd
 Saltergate Lane
 Bamford, Hope Valley
 S33 0BE
 Tel: +44 1433 695 518
<http://www.imt-lighting.com>

IMT Far East Pte Ltd
 22 Boon Lay Way
 #01-58 Level 2 Tradehub 21
 Singapore 609968
 Tel: +65 6341 5153
<http://www.imt.sg>

IMT Deutschland GmbH
 Hovesaatstraße 6
 48432 Rheine
 Germany
 Tel: +49 5971 802 9700
<http://www.imt-deutschland.de>