

# **ILED® Aquarius CIRCLE-H® Helideck Lighting System**

**Low profile - Less than 25 mm**  
**Precision Machined**  
**Interlock Mounting System**  
**Special Anti-slip Coating**





# ILED® Aquarius CIRCLE-H® Helideck Lighting System

**Designed and built to be capable of withstanding the harshest of environments, in demanding and safety critical applications.**

## Why CIRCLE-H®?

Helicopter deck signalisation lighting has now taken off into a new direction with the IMT ILED® CIRCLE-H® Lighting System. Throughout the industry, it is now fully agreed and accepted that the old method of illuminating the TD/PM Circle and H with floodlights results in the common dangerous problem of creating the disorientating “black hole” effect and at the same time being a source of glare to the helicopter pilots.

Developed with close guidance from the CAA and in full accordance with the requirements of CAP 437, IMT’s CIRCLE-H® TD/PM Lighting System provides the optimum solution to these problems.

Cleanly and clearly indicating the TD/PM Circle and H, the IMT CIRCLE-H® is the only fully certified system of its type – providing optimised safety – without compromise. The unique integrated mounting plate is able to be customised to suit specific requirements and with a choice of fixing and installation methods to suit all deck types, the CIRCLE-H® can be installed as a stand-alone system or as a fully integrated total helideck lighting and status light safety system solution.

IMT understand and fully appreciate that it is not merely about the CIRCLE-H® system – but just as – if not more importantly – that it is installed correctly and proficiently.

Therefore, IMT have teamed up with selected partners so as to be able to carry out pre installation surveys of helidecks – these surveys and inspections are carried out by fully certified and competent personnel.

As an absolute minimum, our survey and install teams have the following base skill sets:

- CompEx
- BOSIET
- MIST
- Offshore medical
- IMT approved installer status
- Mechanical fixings approved installer status
- IRATA rope access accreditation lead by a level 3 accredited team member
- Helideck landing area awareness

In preparation for installation and to ensure that all issues relating to correct compliance of CAP 437 are covered and adhered to, IMT offer a comprehensive and extensive on-site helideck survey and report service. If you would like further information and advice as to how we can help in the process of pre-qualifying and preparing for CIRCLE-H® installation, then please contact us.



## Technical Details

<b>Light source</b>	LED
<b>Luminous intensity</b>	Standard and bright setting
<b>Average power for a complete system</b>	Approx. 175 W in bright setting (Depending on size D-value/system requirements)
<b>Light colour</b>	Green and Amber
<b>Horizontal Emission</b>	According to CAP 437
<b>Ambient temperature</b>	-30 °C up to +55 °C
<b>Burning position</b>	Base down
<b>(Re)ignition</b>	Immediate
<b>Voltage range system</b>	24 Vdc ± 10 % and 90 - 255 Vac
<b>IP Rating</b>	IP67
<b>IEC protection classes</b>	Class 1
<b>Lens</b>	PC protected against UV light
<b>Housing</b>	Marine Grade Aluminium with a special anti-slip coating RAL 9003 Signal White or RAL BS 4800 – 10.E.53 Sun Flower Yellow
<b>Weight of the light fitting</b>	± 3 kg
<b>Package weight per piece</b>	Dependant on system type and configuration
<b>Package dimensions</b>	Dependant on system type and configuration
<b>Connection</b>	Special explosion proof plug system

## Certificates

<b>ATEX classification</b>	Group II, Category 2, Gas
<b>Area classification</b>	Category 2 (Zone 1)
<b>ATEX Certificate (DEKRA)</b>	DEKRA 13ATEX0173
<b>IECEX Certificate (DEKRA)</b>	IECEX DEK 13.0059
<b>Light Distribution Attestation (DEKRA)</b>	2168390 AOC
<b>Marking (ATEX)</b>	Ex II 2 G Ex e mb IIB T4 Gb
<b>Marking (IECEX)</b>	Ex e mb IIB T4 Gb
<b>CE</b>	Yes

The light characteristics of the CIRCLE-H® system are designed in compliance with CAP 437 so that the location of the helideck on the platform is easier to establish and increases its conspicuity. In line with CAP 437 requirements, our CIRCLE-H® system has been independently tested and certified – by DEKRA – Attestation of Conformity No: 2168390.01 AOC.

IMTs CIRCLE-H® system is less than 25 mm high, even with mounting the mounting plate. The system is comprised of just 4 main parts. The light unit is easily connected by an Ex-certified, patented plug system. Only cables and conduits are variable – to the D-Value of the helideck.

IMT's CIRCLE-H® system is manufactured from marine grade aluminium – which is by far and away the best material for marine applications and for temperature management control. The one-piece mounting plate is designed so that it can easily be adapted to suit all types of deck construction.

- **DEKRA** Certification
- High life expectancy with low maintenance
- Light fitting is “sealed for life”
- Shock and vibration resistant
- According to CAP 437



Low profile



Less than 25 mm



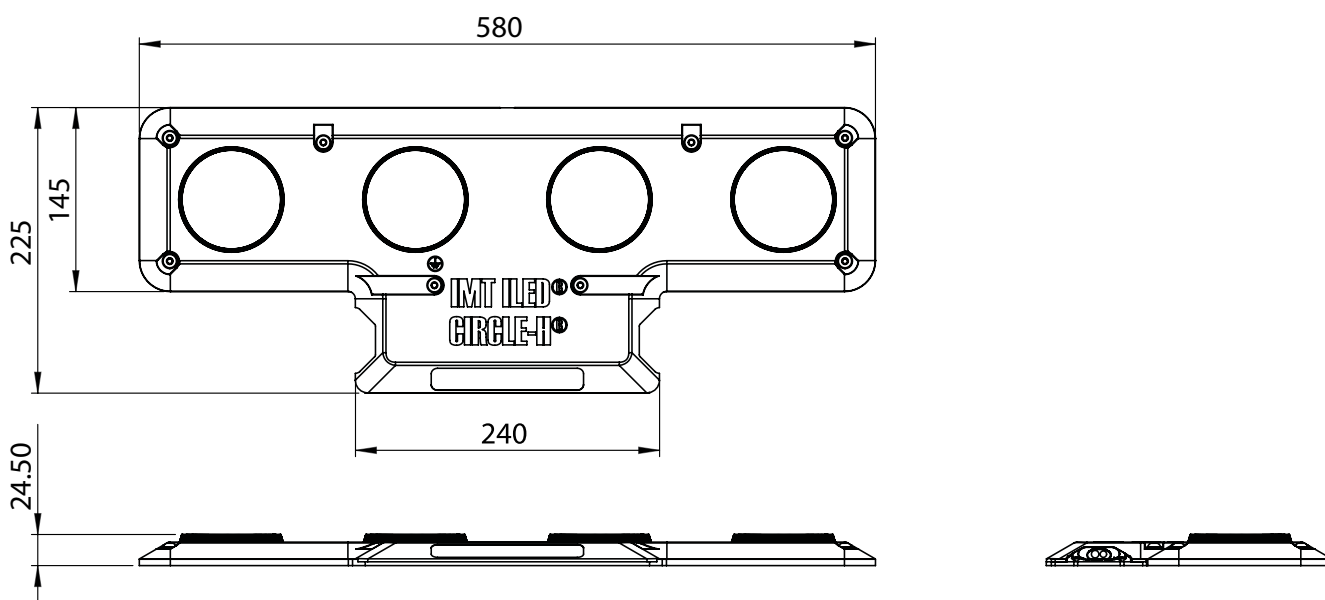
Special anti-slip coating



Precision machined

## Unique Technical Points

- Fitted in place – including mounting plate – less than 25 mm
- DEKRA LIGHT CERTIFICATE
- Certified to IP67
- Ambient Temperature Range of -30 °C up to +55 °C
- Machined Marine Grade Aluminium – no mixing of plastic and steel materials
- Unique “interlock” design to withstand impact shear forces
- Light intensity adjustable –full control by communication
- Can be fully integrated with Helideck Status Light Systems
- Only 4 parts, only variable parts are cable covers and cables
- Easy connection by plug system
- Different fixing methods – to suit all helideck types
- Easy to replace fixtures
- ATEX and IECEx Zone 1 certified
- Low power consumption
- Special anti-slip coating



Article Code	Version		Weight
E-CIRCLE-H-EX	Ex-version	D-Value 23.2 m (34 green, 36 amber units)	± 420 kg
E-CIRCLE-H-IP	Safe Area-version	D-Value 23.2 m (34 green, 36 amber units)	± 380 kg
ELHA1GA0A254	Unit Green	Single Unit	± 3 kg
ELHA1NA0A254	Unit Amber	Single Unit	± 3 kg



**IMT B.V.**  
 Pascalweg 10a, 4104 BG Culemborg  
 P.O. 88, 4100 AB Culemborg  
 The Netherlands  
 Tel: +31 88 12 69 100  
<http://www.imt.eu>

**IMT Lighting (UK) Ltd**  
 Saltergate Lane  
 Bamford, Hope Valley  
 S33 0BE  
 Tel: +44 1433 695 518  
<http://www.imt-lighting.com>

**IMT Far East Pte Ltd**  
 22 Boon Lay Way  
 #01-58 Level 2 Tradehub 21  
 Singapore 609968  
 Tel: +65 6341 5153  
<http://www.imt.sg>

**IMT Deutschland GmbH**  
 Hovesaatstraße 6  
 48432 Rheine  
 Germany  
 Tel: +49 5971 802 9700  
<http://www.imt-deutschland.de>