

# Floodlight

Zone 1 Ex ed Floodlight

HDL 117



## Specification:

### Main Body:

Marine Grade Aluminium

### Lamp Glass:

Toughened Soda Lime

### External Fasteners:

A4 Stainless Steel

### T Rating:

T2 and T3

## Key Features:

- 150W, 250W and 400W discharge lamps.
- 500W max tungsten halogen lamp.
- Simple Installation.
- Straightforward maintenance.
- Integral control gear.
- Wide choice of voltage options.
- Marine grade aluminium.
- Lightweight.
- Robust.
- Ex e junction box.
- Suitable for use with twin arc lamps.
- Wide beam reflector.

Engineering Solutions  
Design to Manufacture

**HADAR**  
LIGHTING 

Hadar Lighting, Jubilee Industrial Estate, Ashington  
Northumberland, NE63 8UG United Kingdom

T: +44 (0) 1670 814 877  
F: +44 (0) 1670 858 638

[enquiries@hadar-lighting.co.uk](mailto:enquiries@hadar-lighting.co.uk)

[www.hadar-lighting.co.uk](http://www.hadar-lighting.co.uk)

### Protection:

II 2G Ex de IIB T2/T3 IP56

### Certification: ATEX & IEC Ex Certified by SIR

	Certification	Ambient	Voltage Range	Certificate
HDL 117	II 2G Ex de IIB T2/T3 IP56	150W -20°C to +40°C T3 250W -20°C to +40°C T3 400W -20°C to +40°C T3 (110V, 120V, 220V) 400W -20°C to +40°C T2 (230V, 240V) 500W -20°C to +40°C T2	110V to 240V	IEC Ex SIR 07.0023 SIRA 07 ATEX 1059

### Electrical Specifications:

Electrical Specification			
Lamp Options	Power consumption	Power factor	Power Supply
150W	170W	0.85	220V, 230V, 240V, 50/60 Hz
250W	280W		
400W	435W		
500W	500W		

### Installation:

**Terminals:** Exe terminal chamber with terminal block suitable for looping 6mm<sup>2</sup> cable.

**Cable Entries:** 2 x M20. Other entries available on request

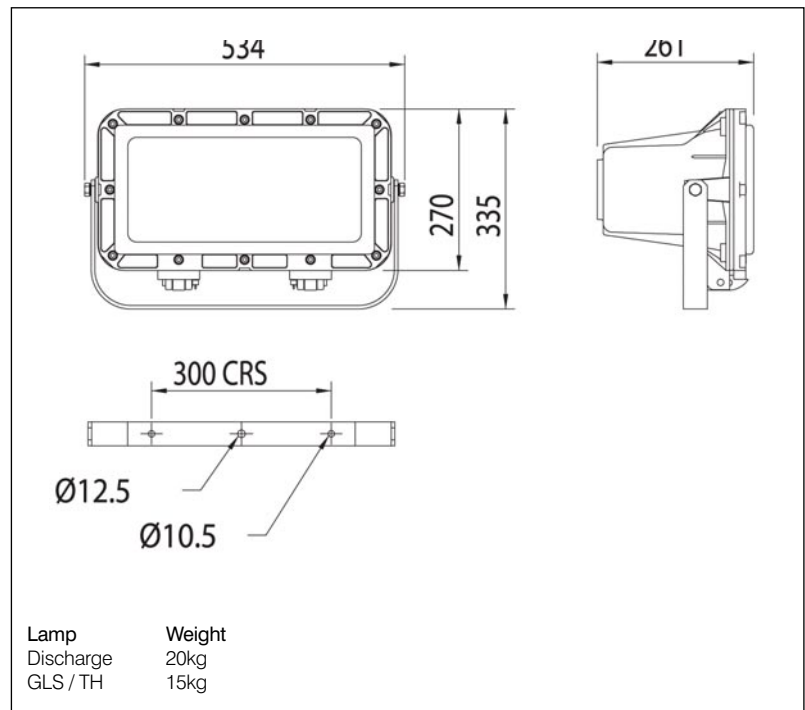
**Suspension:** Steel mounting bracket. See dimensions below for fixing centres.

**Installation:** Installation document AL10204 supplied.

### Ordering Matrix:

Field	Options
Product	HDL 117S
Voltage	22 – 220V 23 – 230V 24 – 240V
Frequency	5 – 50Hz 6 – 60Hz
Cable Entries	00 – 2 x M20 05 – 2 x M25
Lamp Options	150 – 150W 250 – 250W 400 – 400W 500 – 500W
Options	H - MBI Metal Halide E - SON High Pressure Sodium T - Tungsten Halogen

### Dimensions:



### Notes:

- 1) Final Product Code should be in the format: HDL117S24500400E
- 2) For Photometric Data contact the Sales Office.

