

Bulkhead Luminaire

HDL 109

Zone 1 Ex em Bulkhead – Fire Exit Luminaire – Plastic



Specification:

Enclosure:

Polycarbonate

Mounting Bracket:

Aluminium or Steel Powder Coated

Gasket:

Silicone

External Fasteners:

A4 Stainless Steel

T Rating:

T3 Gas and Dust

Surface Temp:

100°C

Key Features:

- 2 x 18W Compact fluorescent lamp for mains operation or emergency option.
- Ideal for exit signs – wall or ceiling mounted.
- Simple installation.
- Straightforward maintenance.
- Emergency version available.
- Various colour diffusers available
- Lightweight and robust construction.
- Short gaskets for proven ingress protection.
- Mounting in any attitude.
- Features mounting points compatible with Unistrut (or equivalent) support systems and accessories.
- Low profile.

- Continuous monitoring of fluorescent lamps ensures safe end of life shutdown by electronic ballast in accordance with HSE safety notice 8/05.
- Overvoltage protection 320V for 1 minute.
- Quick lamp start and flicker free operation control gear.
- Supplied complete with lamps.
- Uses standard compact fluorescent lamps.
- Bulkhead fitting interchangeable with spares of Hadar HDL100 Exe Fluorescent Luminaire.

Incorporates the new "End of Life" (EoL) protection circuit ballast - according to DIN EN 61347-2-3 and IEC 60079-7 Ed.4 Annex H.

Engineering Solutions
Design to Manufacture

HADAR 
LIGHTING

Hadar Lighting, Jubilee Industrial Estate, Ashington
Northumberland, NE63 8UG United Kingdom

T: +44 (0) 1670 814 877
F: +44 (0) 1670 858 638

enquiries@hadar-lighting.co.uk

www.hadar-lighting.co.uk

Protection:

II 2GD Ex emb II T3 IP66/67, Ex Td A21 T100°C

Certification: ATEX & IEC Ex Pending by SIRA

	Certification	Ambient	Voltage Range	Certificate
HDL 109	II 2GD Ex emb II T3 IPP66/67	Standard Range -20°C to +40°C T3 Emergency Range -15°C to +40°C	110V to 254V	IEC Ex SIR060026x SIRA 06 ATEX 3079x

Emergency Version: Standard emergency – one fluorescent lamp remains at a reduced output. Can be operated, maintained or non maintained.

Fire Exit Sign: Wall or ceiling mounted. Can be supplied with signage or facility for end user to fit down. Other warning signage can be used.

Electrical Specifications:

Electrical Specification			
Lamp Options	Power consumption	Power factor	Available power supplies
2 x 18W CFL STD	32W circuit watts at 240V – 0.14A (120V – 0.28A)	Better than 0.95	220V – 254V, 47/63 Hz AC/DC 110V – 130V, 47/63 Hz AC/DC (2 x 18W/2 X 36W only) Emergency version as above – AC only
2 x 18W CFL EM	36W circuit watts at 240V – 0.15A (120V – 0.3A)		

Installation:

Terminals: Up to 6mm² clamp terminals for live, live switched, neutral, earth and looping are provided. Internal and external earth, as standard, Screw terminals upon request.

Cable Entries: 2 x M20. Pole mount fittings supplied with 1 x M20. Other entries available on request.

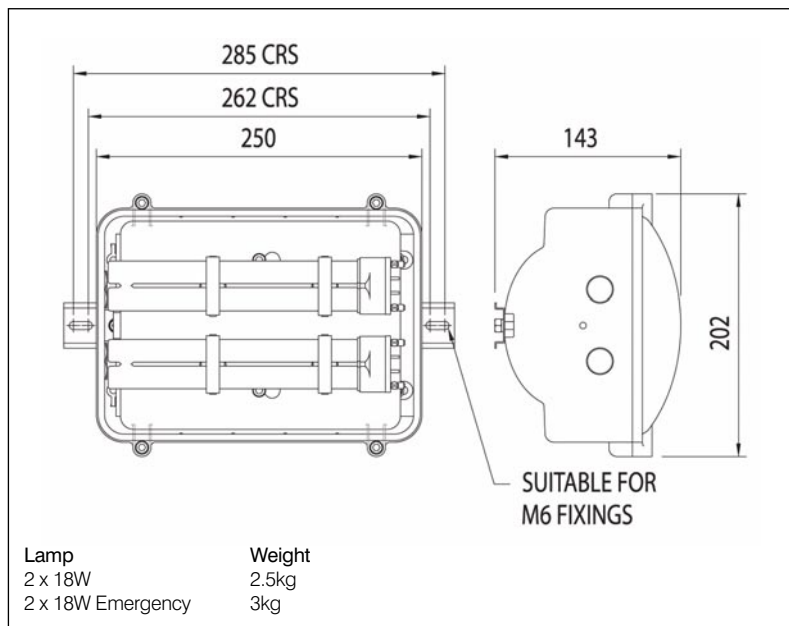
Suspension: Via bracket supplied or Unistrut reflector. Option of Unistrut, bracket or pole mounting.

Installation: Installation document AL10090 supplied.

Ordering Matrix:

Field	Options
Product Version	HDL109 S – Non Emergency E – Emergency
Fittings	U – Loop In/Out (Unistrut) L – Loop In/Loop Out (Bracket) P – Pole Mount
Voltage	H – High Voltage (220V – 254V) M – Medium Voltage (110V – 130V)
Cable Entries	O – M20 Entries 5 – M25 Entries
Lamp Options	218 – 2 x 18W

Dimensions:



Notes:

- 1) Final Product Code should be in the format: HDL109SUH0218
- 2) For Photometric Data contact the Sales Office.
- 3) Brass earth continuity gland plates are available, contact sales office for more information.

