

Modular LED Luminaire

Zone 1 and 21 / Class I, Div 2 / Class II, Div 1 and 2 Ex emb LED Modular Floodlight / Bulkhead

Specification:

Main Body:

Marine Grade Aluminium

Diffuser:

Polycarbonate

Gaskets:

Silicone

External Fasteners:

A4 Stainless Steel

Stirrup Bracket:

316 Stainless Steel

T Rating:

T4 (T6 version also available)

Weight:

6.0kg per module



Key Features:

- Modular construction allows the modules to be supplied interlinked with each other to provide greater light output.
- Can be used as a single unit – small floodlight or bulkhead or linked together to replicate a large 250W/400W floodlight.
- Each module utilises 48 off 1.2W LED's
- Integrated power supply.
- Low power consumption.
- Rugged construction – resistant to vibration.
- Independently photometrically tested.
- All units supplied with 2 cable entries. Additional entries available on request.
- IP66 and IP67.
- Optional wire guard available for extra protection.
- Infra red variants available (for use with security cameras).
- Narrow, Medium, Wide and Extra Wide beam light output available.
- Multiple mounting options available.
- Emergency version available - see data sheet HDL106E.

In comparison to typical Ex d floodlights:

- 60% less weight.
- 50% less power consumption.
- One man installation.
- LED technology will give a predicted lamp life of 10 years+.
- No light pollution.
- Instant start and restrike.
- No light degradation at low temperatures.
- Penetrating white light.
- Photocell option available.
- No flamepaths to maintain.
- Low cost of installation, operation and maintenance.

Engineering Solutions
Design to Manufacture

HADAR
LIGHTING 

Hadar Lighting, Jubilee Industrial Estate, Ashington
Northumberland, NE63 8UG United Kingdom

T: +44 (0) 1670 814 877
F: +44 (0) 1670 858 638

enquiries@hadar-lighting.com

www.hadar-lighting.com

Protection:

Ex II 2 G D Ex emb IIC T4 Gb, Ex t IIIC T103°C Db IP66/67

Certification: ATEX, IECEx, ABS & CSA certified.

	Certification	Ambient	Voltage Range	Certificate
HDL106S	Ex II 2 G D Ex emb IIC T4 Gb, Ex t IIIC T103°C Db IP66/67 Class I, Div 2 Groups ABCD Class II, Div 1 & 2 Groups EFG	-20°C to +50°C	110V to 240V AC input 24V AC/DC* *Not available on 24 LED versions.	IECEx SIR 09.0064X SIRA 09ATEX5159X ABS 11-LD801943-PDA CSA 2578781

Electrical Specifications:

Electrical Specification			
Lamp Options	Power consumption	Power factor	Available power supplies
24 x 1.2W LED's	30W	0.95	110V – 240V 50/60Hz AC only or 24V AC/DC
48 x 1.2W LED's	60W		
96 x 1.2W LED's	120W		
144 x 1.2W LED's	180W		

Installation:

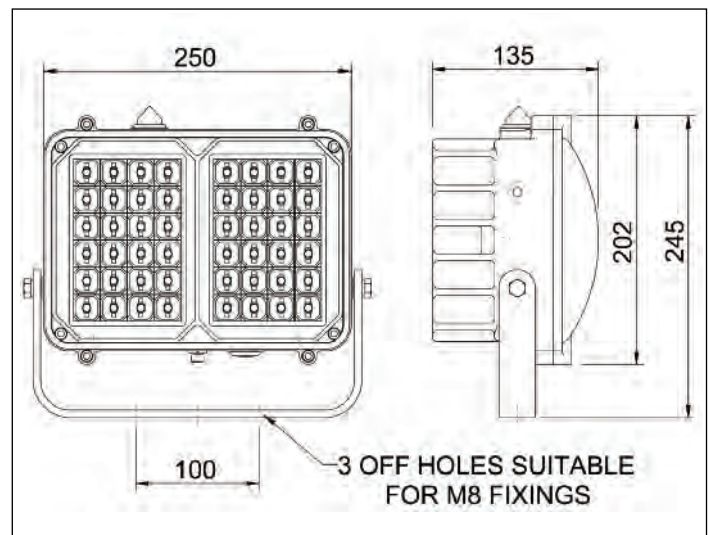
Terminals: Up to 4mm² terminals for live, neutral, earth and looping are provided. Internal and external earth as standard.
Cable Entries: 2 x M20, one fitted with approved stopper plug, other entries available on request.
Suspension: Via stirrup bracket, other mounting accessories available. Stainless steel eyebolt for safety chain included as standard.
Installation: Installation document AL10578 supplied.

Ordering Matrix:

Field	Options
Product	HDL106S
Version (LEDs)	0 – 24 LEDs 1 – 48 LEDs 2 – 96 LEDs 3 – 144 LEDs
Voltage	H – 110 - 240V AC only L – 24V AC/DC
Beam Pattern	N – Narrow M – Medium W – Wide X – Extra wide
Mount*	H – Horizontal mount (single module version only) V – Vertical mount (twin/triple module version only) C – Ceiling mount
Light	W – Cool White light X – Warm White light Other colours available on request
Cable Entries	0 – M20 5 – M25
Other Options	04 – Colour RAL 7035 (Grey) 09 – Colour RAL 7035 (Grey) c/w Photocell

*Mount refers to positioning of module on stirrup bracket, please refer to the below photographs.

Dimensions:



Weight:
 24 and 48 LED Luminaire: 6kg
 96 LED Luminaire: 12kg
 144 LED Luminaire: 18kg

Notes:
 1) Typical ordering reference HDL106S1HMHW004.
 2) Photometric Data available from the website or contact sales office.



Horizontal mount



Vertical mount

Data is correct at time of print, but is subject to change due to continual product improvement.
 Zone 2 and Industrial versions available, please refer to the website or contact sales office for further details.