



PRATLEY

www.pratley.com



ENVIROBOX[®] Corrosion Resistant

Ex e/n
IP68/66

Can be fitted with
Enviroglands & Ex e Kwikbloks
(Optional)

CERTIFICATION



IA No. SABS S/06-401X (Box)
IA No SABS S/05-190X (Lid)

Ex e II T6
Ex nA II T6
Ex tD A21 T6 IP 68
IP68/66(2m-cont)

IEC / SANS 60079-0/7
IEC / SANS 60079-15
IEC / SANS 61241-0/1
IEC / SANS 60529

Suitable for use in
Zone 1, 2, 20, 21 & 22
Hazardous Locations

FEATURES & BENEFITS

- Ex e and Ex n dual certified (Ultra Safe).
- Slotted mounting lugs for easy installation.
- Tough Engineering plastic (No Corrosion).
- Raised dome lid for easy access (Black or Transparent).
- Encapsulated internal earth (Continuity between entries).
- 4 x Threaded Entries & supplied with 2 Blanking Plugs.
- Accommodates armoured or unarmoured cables - Enviroglands.
- Accommodates N35 rail & Spacers.
- Waterproof, Lightweight & Corrosion Resistant.

POLICY STATEMENT

"The performance of
our products must
exceed all others on
the world market"

KGM Pratty
CEO

PRATLEY ENVIROBOX

The Prately Envirobox is manufactured from a tough chemical and UV resistant engineering plastic. It is fitted with a raised dome lid with stainless steel screws, rendering the box both tamperproof and waterproof. The box incorporates a unique encapsulated internal earth, which ensures earth continuity between all gland entries. The Envirobox can accept both armoured and unarmoured cable and is supplied with two blanking Plugs.

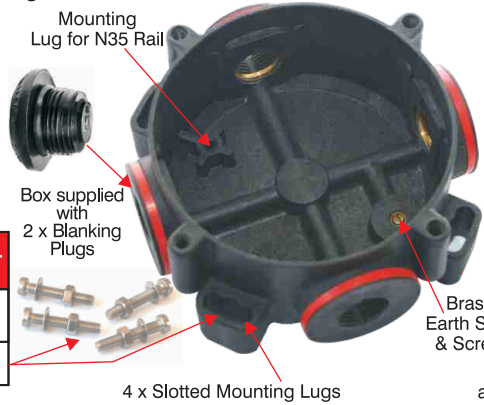
PRATLEY ENVIROBOX CAT. N ^o s						
SIZE	BOX ENTRY THREAD	CONFIGURATION	C/W BLACK LID CAT. N ^o	C/W TRANSPARENT LID CAT. N ^o	USUAL PACK QTY	
No. 1	20 mm x 1.5P	4 Way Right Angle	57322	57323	1	

Use catalogue number when ordering.

PRATLEY TUFLON BLANKING PLUGS

SIZE	THREAD SIZE	CAT N ^o	USUAL PACK QTY
0-1	20mm	57800	10

Use catalogue number when ordering.

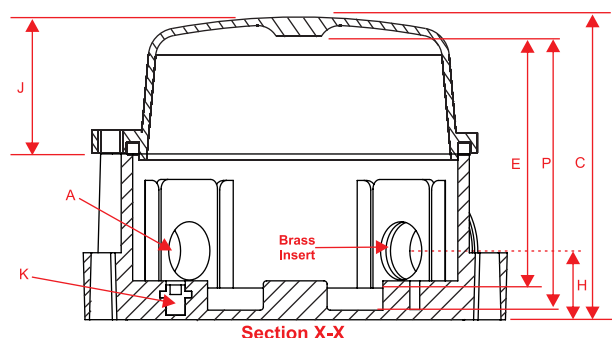
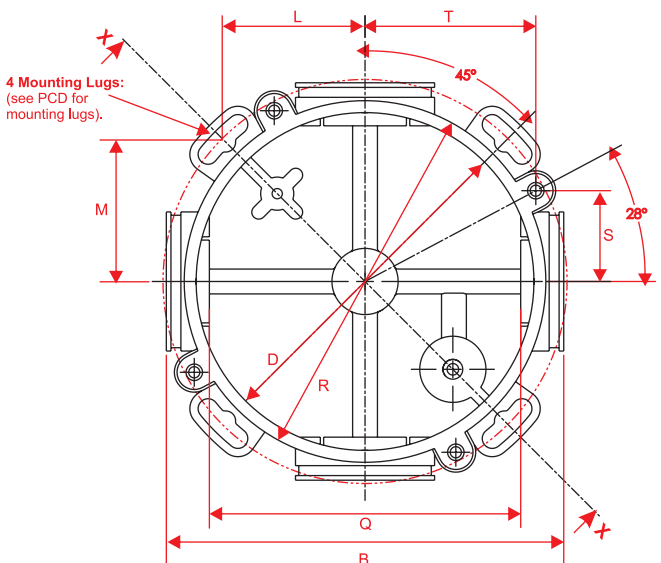


ENVIROBOX STAINLESS STEEL MOUNTING SCREW KIT

SIZE	CAT N ^o	USUAL PACK QTY
M6 Cheese Head Screw 35mm long	57330	4

Must be ordered separately.

DIMENSIONS & SPECIFICATIONS



PRATLEY ENVIROBOX DIMENSIONS

RIGHT ANGLE ENTRY BOX								
Size	A Entry Thread	B Across Entries	C Overall Height	D Internal Diam.	E Internal Depth	H Lid Height	J Lid Height	PCD for Mounting Lugs
1	20 x 1.5P	120	92.0	102.0	76.8	21.6	40.0	122.0
	K Tapped Earth Stud Hole	L	M	P	Q	R External Diam.	S	T
M4 x 6.0	43.1	43.1	83.7	94	109.2	27.4	51.6	

Junction Boxes can be factory fitted with rail mounted terminals to customer specifications.

OPTIONAL FACTORY FITTED

SPACERS		N35 MOUNTING RAIL		Ex e Ik3	See Sales Leaflet No.061	Ex e Ik5
Size	Cat. No.	Box Size	Cat. No.	Catl No. 30326	for full Range of Kwikkbloks & Accessories.	Catl No. 30327
10 mm	30001	1	30110			
20 mm	30000					

- SPECIFICATIONS GUIDE FOR THE ENVIROBOX**
- The junction box must be dual certified for Ex e and Ex n.
 - Lid to be secured watertight with four stainless steel screws and certified IP68/66 against the ingress of water and dust.
 - Must be easily identifiable as Explosive Protected by means of red Ex identification bands.
 - Manufactured from tough, slightly flexible and impact resistant engineering plastic.
 - Supplied complete with completely encapsulated earth, connected to internal earth stud and all four the gland entries.
 - Must accommodate rail mounted terminals for ease of connection.
 - Must have pitch circle slotted mounting lugs.
 - Must be able to accommodate both black and transparent domed lids.

PRATLEY ENVIROGLANDS

PRATLEY ENVIRO COMPRESSION GLANDS Ex d/e

The Prately Enviro Compression Gland is designed to withstand corrosive environments. It is dual certified for use on all Ex e and Ex d group II A and II B apparatus (Sizes 0 - 5 Enviro Compression Gland). Supplied with a locknut and nipple sealing gasket.

GLAND SELECTION CHART - ENVIRO COMPRESSION

Gland size	00	0s	0	1	2	3	4	5	6	7
Catalogue No.	32109	32108	32100	32101	32102	32103	32104	32105	32106	32107
Cable Dia. Range	Min.	4.0	4.0	8.0	12.6	15.7	20.4	26.3	34.7	43.3
	Max.	8.0	8.0	12.6	15.7	20.4	26.3	34.7	43.3	55.8

Use catalogue number when ordering.

PRATLEY ENVIROGLANDS Ex e

The Prately Enviroglan is designed to withstand corrosive environments. It is certified for use on all Ex e apparatus. Supplied with a locknut and nipple sealing gasket.

GLAND SELECTION CHART - PRATLEY ENVIROGLAND

Gland size	00	0s	0	1	2	3	4	5	6	7
Catalogue No.	31998	31999	32000	32001	32002	32003	32004	32005	32006	32007
Diameter over cable bedding	Min.	6.0	6.0	8.5	12.6	15.7	20.4	26.3	34.7	43.3
	Max.	8.5	8.5	12.6	15.7	20.4	26.3	34.7	43.3	55.8
Overall cable diameter	Min.	10.0	10.0	12.6	15.4	22.0	24.3	33.5	43.2	53.5
	Max.	16.0	16.0	18.6	22.0	27.3	33.5	43.2	53.5	67.2

Use catalogue number when ordering.

